



Standard Alphanumeric Route Indicator



Developed to meet network requirements for cost effective, highly reliable LED signalling, the Unipart Dorman Standard Alphanumeric Route Indicator(SARI), commonly known as a Theatre Indicator, has been used extensively throughout the UK since 2001.

The SARI is specifically designed to be compatible with all current mounting and termination details without any modification to either indicator or infrastructure, and is a safe and durable choice where the long service life and minimal maintenance delivered by the latest LED technology are key factors

The LED module hinges back to provide maintenance access from a place of safety and is fitted with a damage resistant polycarbonate screen. A double width SARI is also available, which is capable of displaying up to three indications made up of two characters side by side or up to 10 single characters. Please contact Unipart Dorman for further information.

Features & Benefits

- Reduced installation and maintenance costs
- LED light sources designed to give a long and predictable service life
- Compatible with existing SSI & RRI installations
- Directly interchangeable with existing fibre optic units
- LED modules sealed to IP65

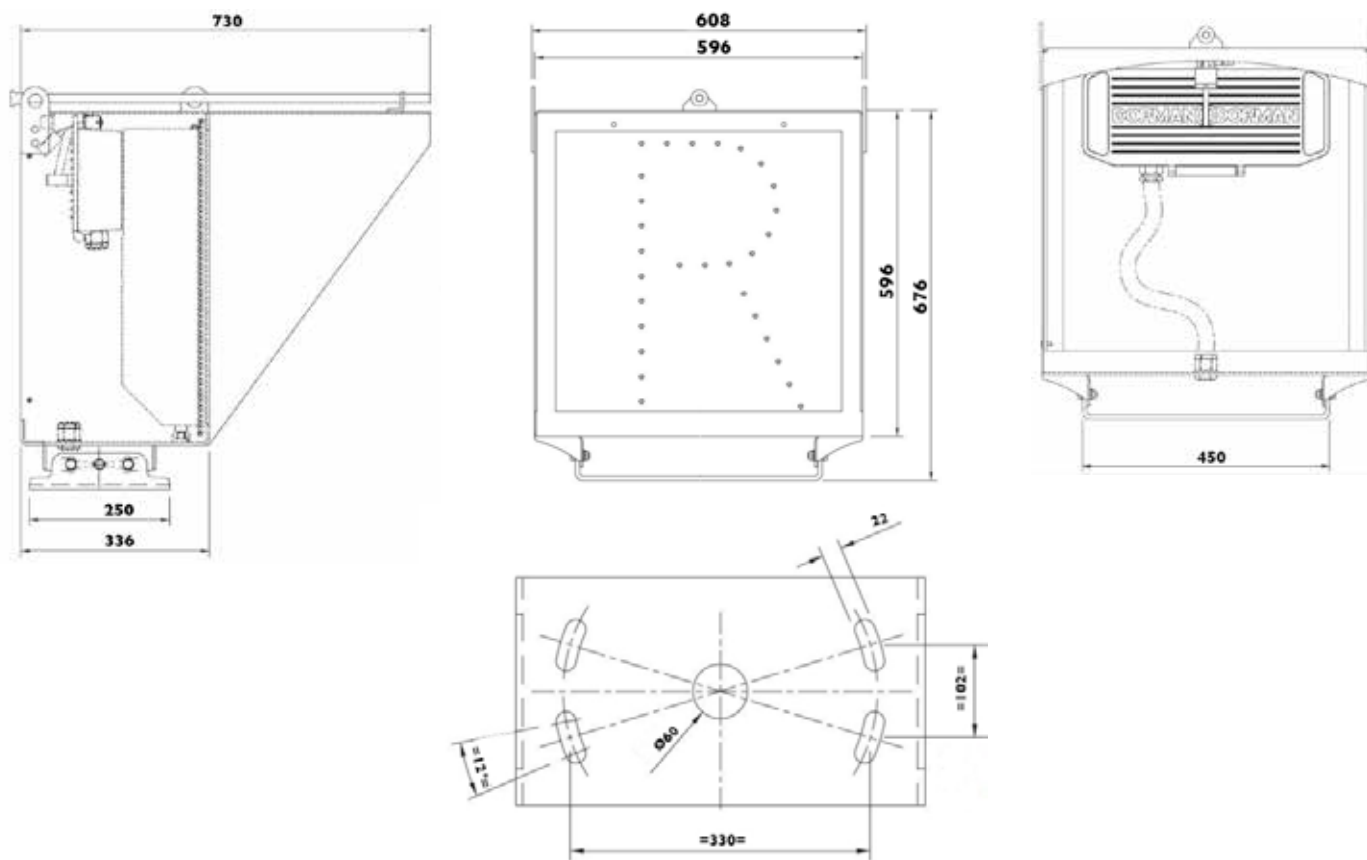
Ordering

Description	PADS/Cat No.
Single Character SARI	0086/021040
Double Character SARI	0086/021041



It should be noted that whilst there is only one PADS/Cat number allocated to the Unipart Dorman Single Character Standard Alphanumeric Classic Indicator range; each unit requires the completion of a type specific order form listing each indication, which then generates a bespoke indicator part number.

Product Drawings



Technical Data

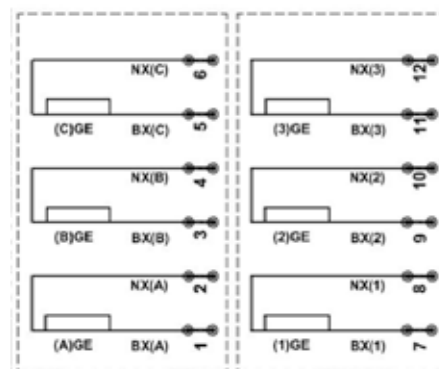
Weight	35Kg
Nominal Voltage (operating range) AC	110V (88-121V)
Nominal Voltage (operating range) DC	120V (88-145V)
Nominal Current Draw	300mA
Lamp Proving Detail - Relay	BR941 relay
Lamp Proving Detail - SSI	Path 1 or 4
Operating Temperature Range	-25° to +40° C (-13° to +104° F)
IP Rating	IP 65
Compliances	BR 1651 Part I
Product Approval Certificate Number	PA05/02433
Readability Category	2 (250m)
Sighting Device	Fixed Tube
Maximum Indication Configuration	6 Single Characters

Note: Other indication configurations may be available upon request

Wiring Detail

This example shows the wiring detail for a single character indicator which has six separate indications A:B:C:1:2:3. (Indications are always allocated stud pairs on the terminal bar in alphabetic letter and then numeric order).

All connections shown are made on to a 2BA Terminal Block fitted with slip links. If a classic indicator is required for a plug coupled scheme please contact Unipart Dorman to order an adaptor lead.



About Unipart

The Unipart Group is a leading UK manufacturer, full service logistics provider and consultant in operational excellence. Operating across a range of market sectors, including automotive, manufacturing, mobile telecoms, rail, retail and technology, Unipart offers a breadth of services to a wide range of blue chip clients internationally.

Unipart Dorman

Wennington Road, Southport,
Merseyside, PR9 7TN

Tel: +44 (0) 1704 518000

Fax: +44 (0) 1704 518001

email: dorman.enquiries@unipartdorman.co.uk

www.unipartdorman.co.uk



Our products are distributed through Unipart Rail
Visit www.unipartrail.com for details