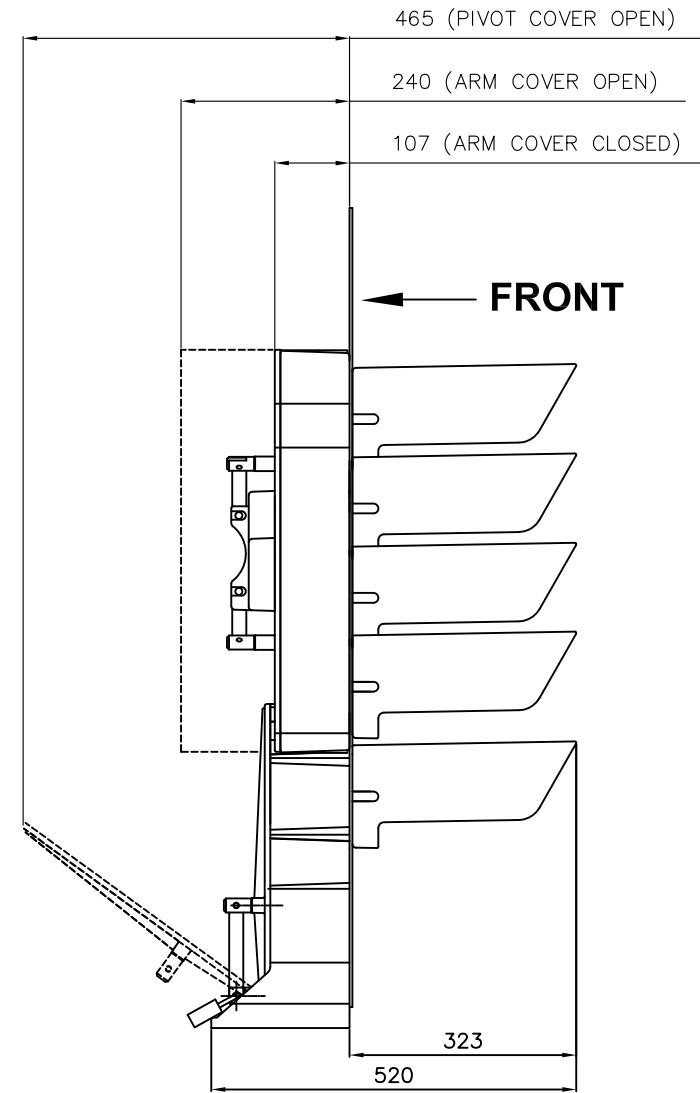
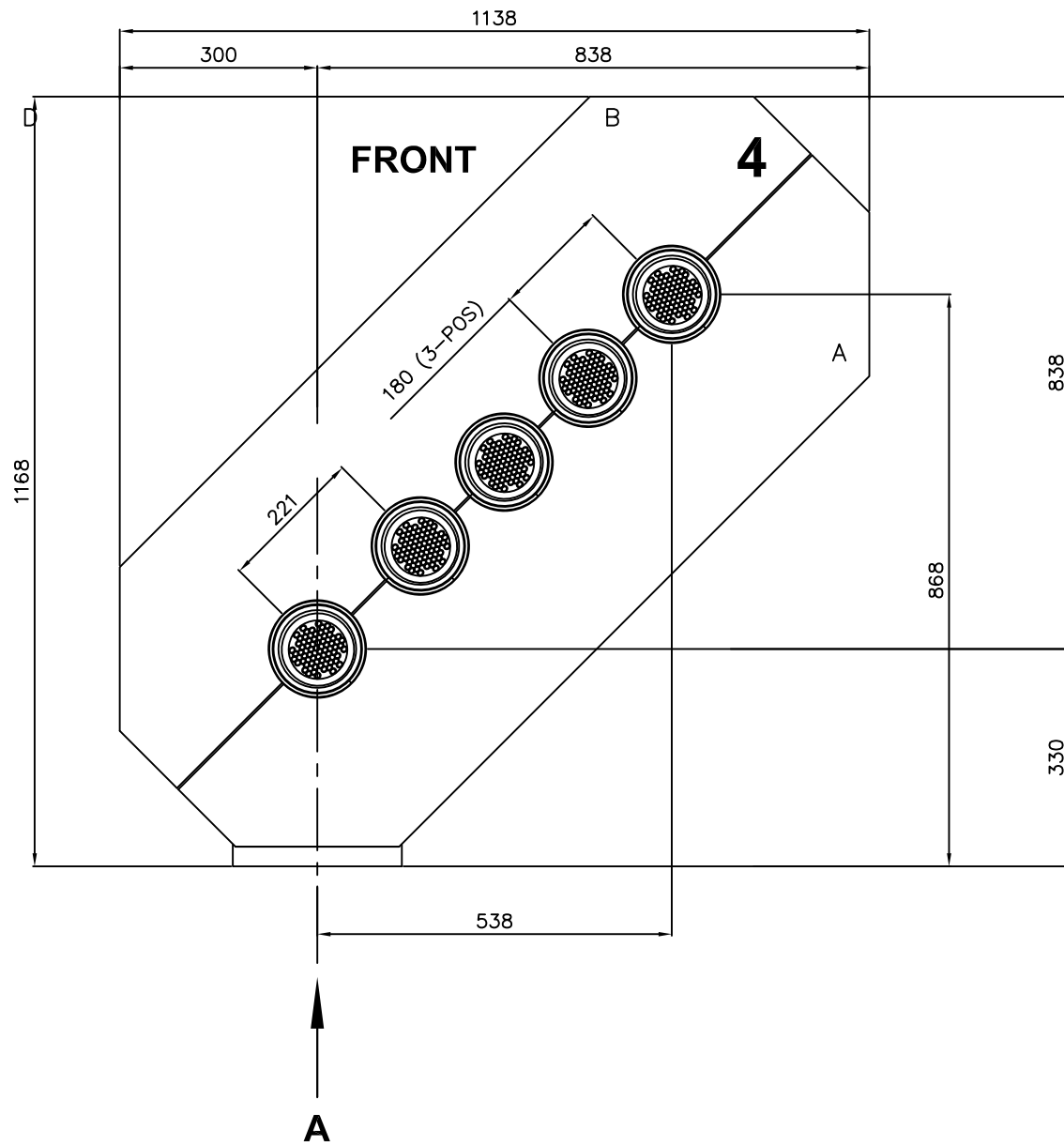
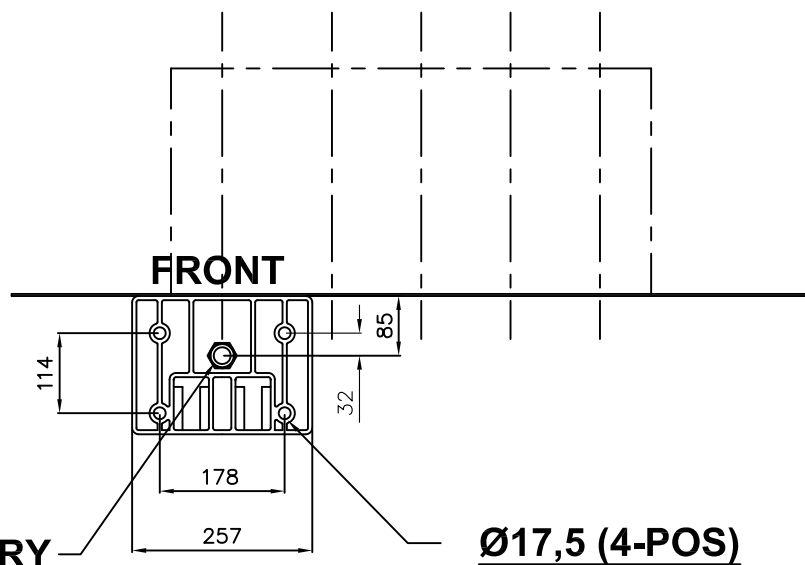


Uncontrolled When Printed



WEIGHT 43KG



CABLE ENTRY
(32mm GLAND - 36mm A/F) **VIEW ON A**

ALL DIMENSIONS IN mm UNLESS OTHERWISE STATED

SPACE ENVELOPE/MECHANICAL INTERFACE DRAWING

TITLE: JUNCTION INDICATOR POS 4

MATERIAL	TOLERANCES
X	+ / - 0,25
X,0	+ / - 0,10
X,00	+ / - 0,05
X,000	+ / - 0,025
ANGULAR	+ / - 0,25°

PROJECT No. 104
THIRD ANGLE PROJ
Document N°
DRAWN MD
CHECKED IW AUTH. IW
DATE 26/03/2007
SCALE NTS
SHEET 1 OF 1 SHEETS

1	03/10/12	CM	SEE DCC6242
0	26/03/07	MD	DCC No. 3564
ISS	DATE	INI	ALTERATIONS

DORMAN

SOUTHPORT ENGLAND

THIS DOCUMENT AND THE INFORMATION THEREIN IS CONFIDENTIAL AND MAY NOT BE USED OR DISCLOSED WITHOUT WRITTEN AUTHORIZATION
DRAWING No PART No.
0086/021003

DO NOT SCALE