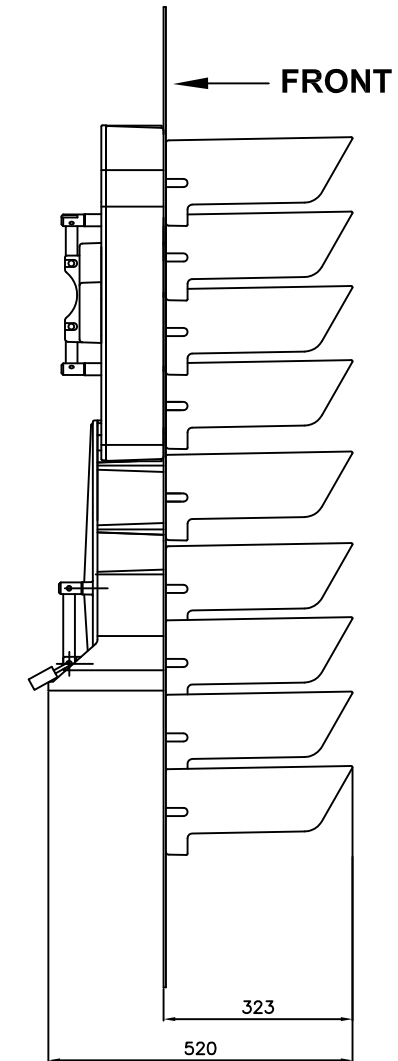
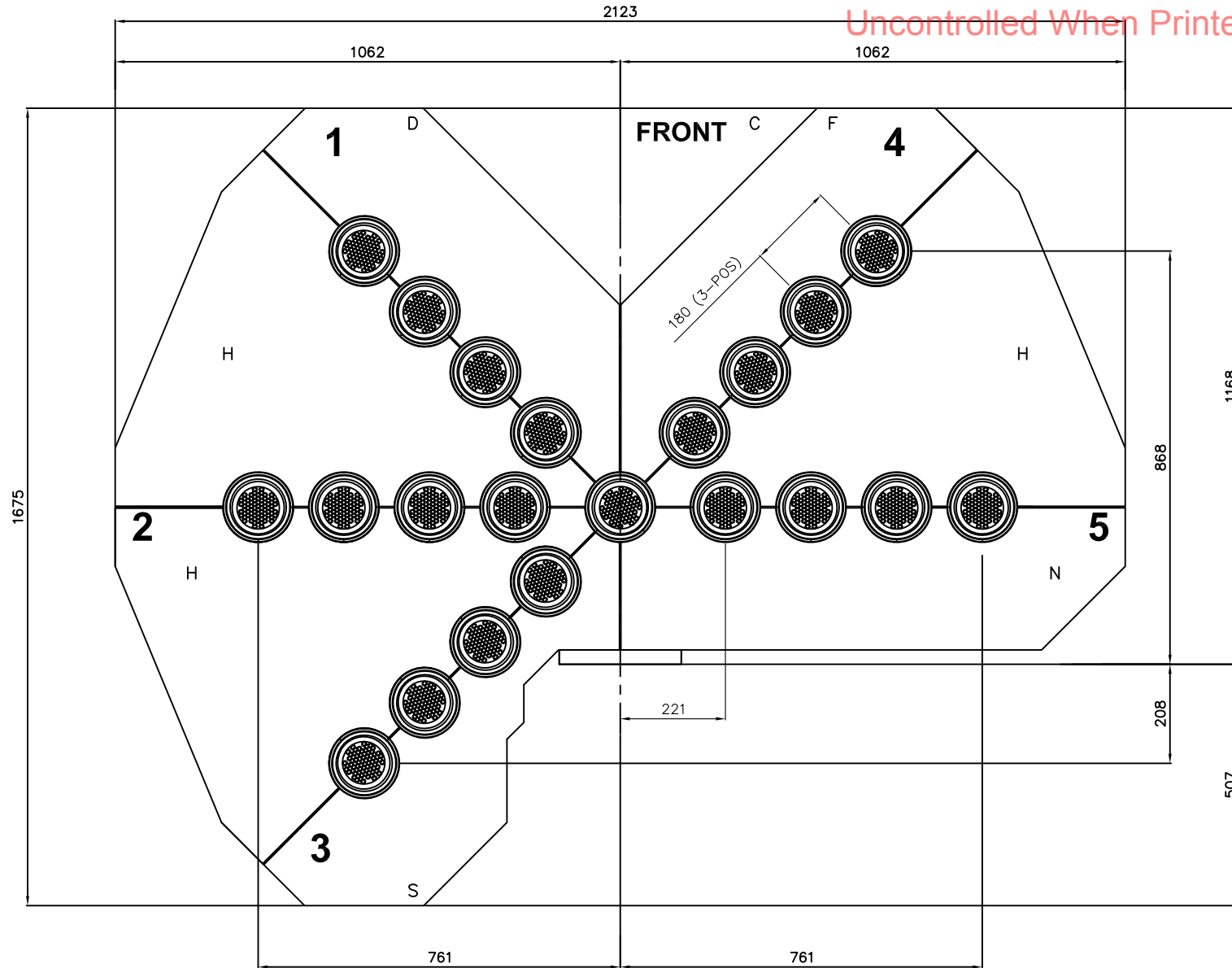
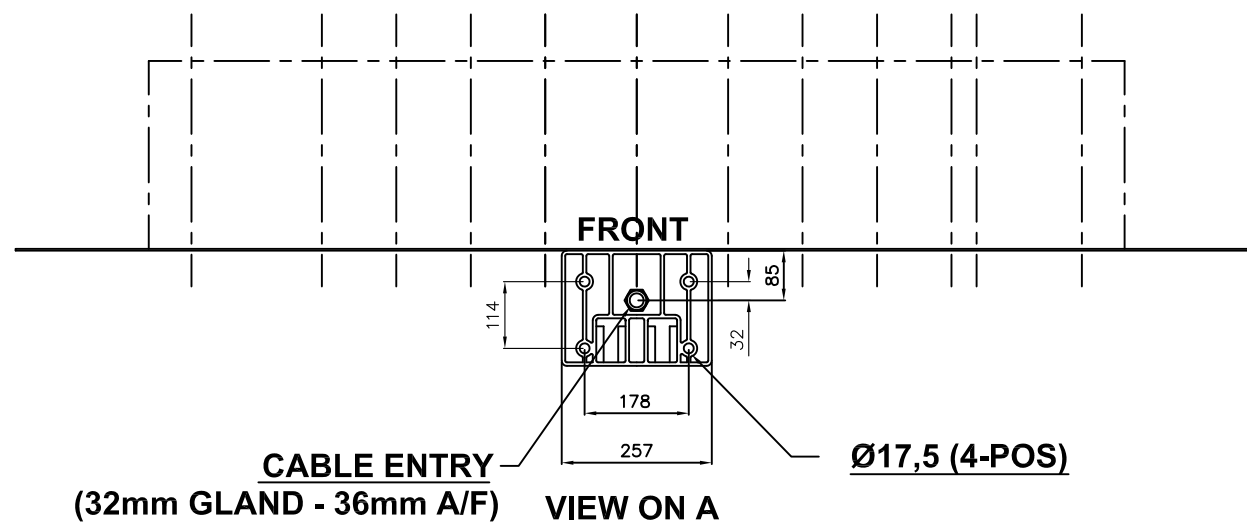


Uncontrolled When Printed



A



WEIGHT 135KG

ALL DIMENSIONS IN mm UNLESS OTHERWISE STATED

|   |       |                     |
|---|-------|---------------------|
| SPACE ENVELOPE/MECHANICAL INTERFACE DRAWING |       | PROJECT No. 104     |
| TITLE<br>JUNCTION INDICATOR POS 1+2+3+4+5   |       | THIRD ANGLE PROJ    |
| MATERIAL                                    |       | Document N°         |
| TOLERANCES                                  |       | DRAWN MD            |
| X   | + / - | 0,25                |
| X,0   | + / - | 0,10                |
| X,00  | + / - | 0,05                |
| X,000                                       | + / - | 0,025               |
| ANGULAR                                     | + / - | 0,25°               |
| CHECKED IW AUTH. IW                         |       | DATE 26/03/2007     |
| SCALE NTS                                   |       | SHEET 1 OF 1 SHEETS |

|     |          |     |              |
|-----|----------|-----|--------------|
| 1   | 03/10/12 | CM  | SEE DCC6242  |
| 0   | 26/03/07 | MD  | DCC No. 3564 |
| ISS | DATE     | INI | ALTERATIONS  |

**DORMAN**

SOUTHPORT ENGLAND

THIS DOCUMENT AND THE INFORMATION THEREIN IS CONFIDENTIAL AND MAY NOT BE USED OR DISCLOSED WITHOUT WRITTEN AUTHORIZATION  
DRAWING No PART No.  
0086/021012

DO NOT SCALE

DORMAN REF No. PLJIS/12345- /PO

CUSTOMER REF No.