



# Assisted Lift Trunnion

by Unipart Dorman



Certificate of Acceptance: PA05/06503

Registered Design: 5000595/500596

As part of our continual drive to deliver world beating solutions to our rail customers, Unipart Dorman identified that the majority of signals being ordered were simple 3 and 4 aspect heads and strong customer feedback indicated a need to reduce the amount of support equipment required to install and maintain the signals.

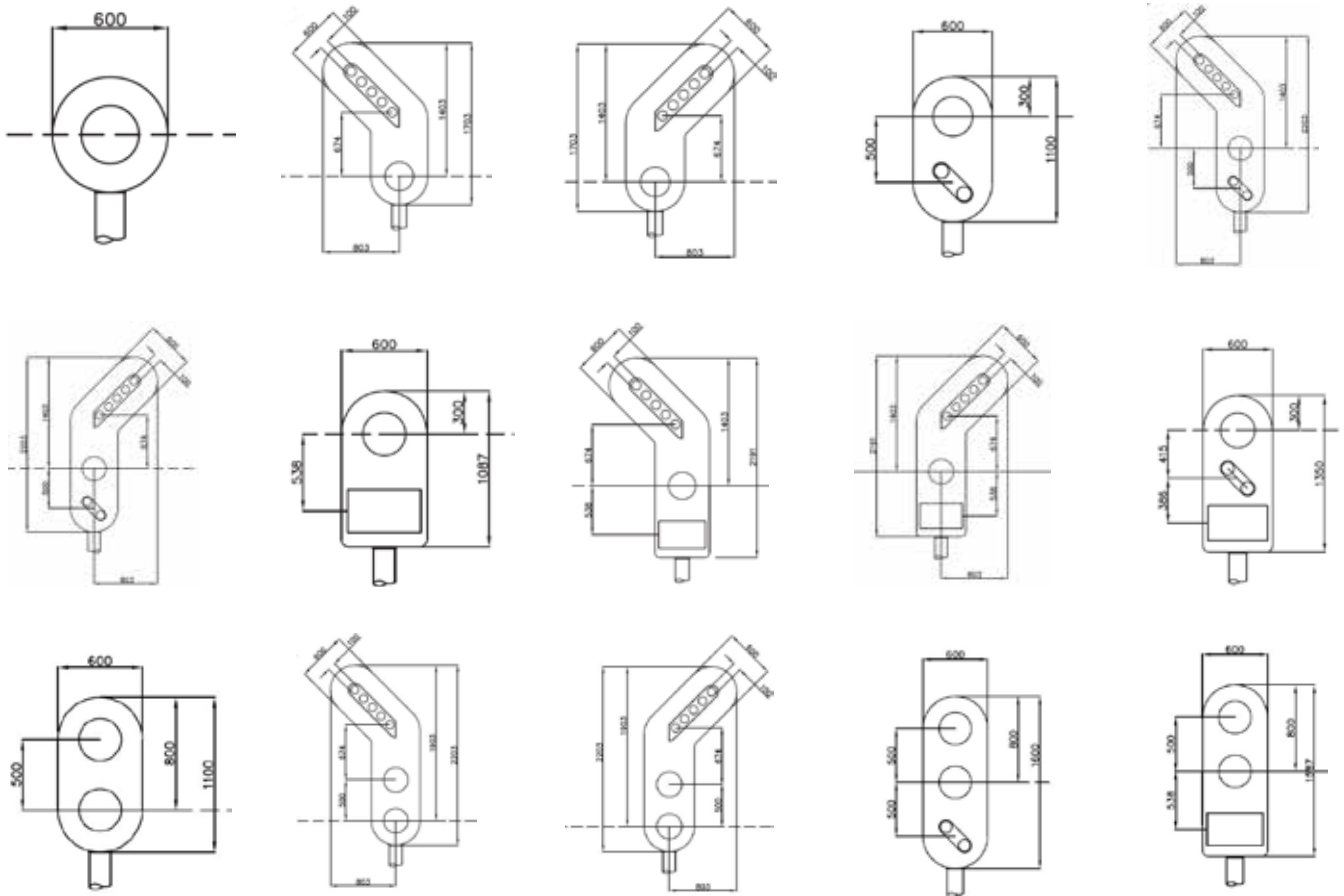
To increase worker safety and reduce installation time, Unipart Dorman has developed a new assisted lift trunnion which uses progressive rate spring technology to reduce the lifting force required as the post is moved from the horizontal to the vertical plane.

## Features & Benefits

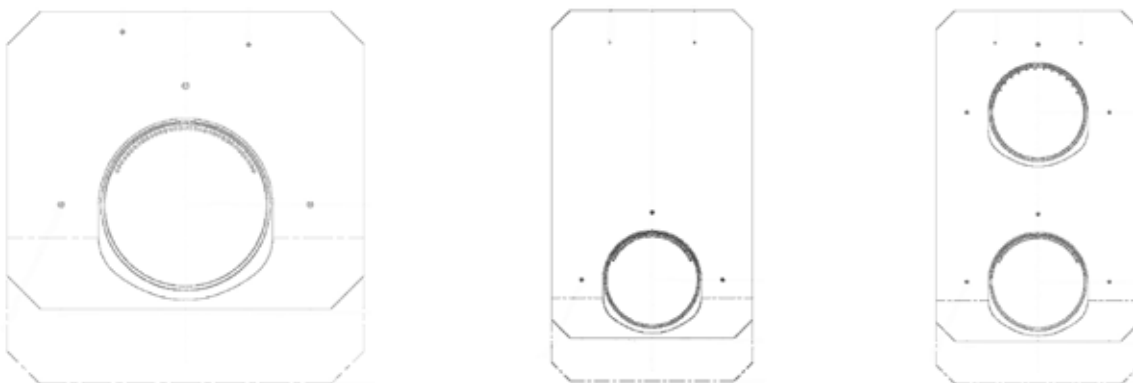
- Can be used for a wide range of signals including the Unipart Dorman Classic signal range, CLS LITE, Banner Repeaters, Route Indicators and Level Crossing Wig Wags
- Simplified installation using basic handtools
- Permanent lifting eye provided allows the use of a variety of readily available mechanical handling devices - no plant or large equipment required
- Complies with PAN/E/CE 0017 (Project Advice Note - Signal Structures - 'Form A Guidance for Loading and Performance') and is subject to its own generic F001, F002, and F003 submission
- Signal sighting is done from ground level, allowing the trunnion to be installed and sighted in advance of signal post and head delivery to site
- After sighting, the trunnion can be secured in the horizontal position for extended periods using the hold down pin secured with a standard padlock
- Adapter available to enable some types of classic signals to be mounted



## Assisted Lift Trunnion iLS Head Types



## Assisted Lift Trunnion CLS LITE Head Types



Assisted Lift Trunnion is approved for use with CCTV

to order the Assisted Lift Trunnion CCTV mounting bracket quote CAT No: **0094/019266**

## About Unipart

The Unipart Group is a leading UK manufacturer, full service logistics provider and consultant in operational excellence. Operating across a range of market sectors, including automotive, manufacturing, mobile telecoms, rail, retail and technology, Unipart offers a breadth of services to a wide range of blue chip clients internationally.

### Unipart Dorman

Wennington Road, Southport,  
Merseyside, PR9 7TN

Tel: +44 (0) 1704 518000

Fax: +44 (0) 1704 518001

email: [dorman.enquiries@unipartdorman.co.uk](mailto:dorman.enquiries@unipartdorman.co.uk)

[www.unipartdorman.co.uk](http://www.unipartdorman.co.uk)



Our products are distributed through Unipart Rail  
Visit [www.unipartrail.com](http://www.unipartrail.com) for details