

Wennington Road, Southport PR9 7TN. England
Tel: 01704 518000 Fax: 01704 518001
WEB SITE <http://www.unipartdorman.co.uk>
E MAIL address – dorman.info@unipartdorman.co.uk

Health and safety

Every effort has been made to ensure the accuracy of the information given in our publications, but in accordance with our policy of continually improving our products we reserve the right to modify designs and specifications whenever necessary. All equipment is designed to conform to relevant British and International standards. Every care is taken to ensure that, as far as reasonably practical, it will perform without risk to health. It is essential that accepted codes of professional practice are followed in the assembly, installation and commissioning of the equipment. If in doubt with respect to any of these instructions, please consult Dorman before installing the device.

Dorman reserves the right to vary any component part to meet the required specifications without prior notice.



Certificate No. FM 14371

Dorman ref. No B16.15167 ISS 2

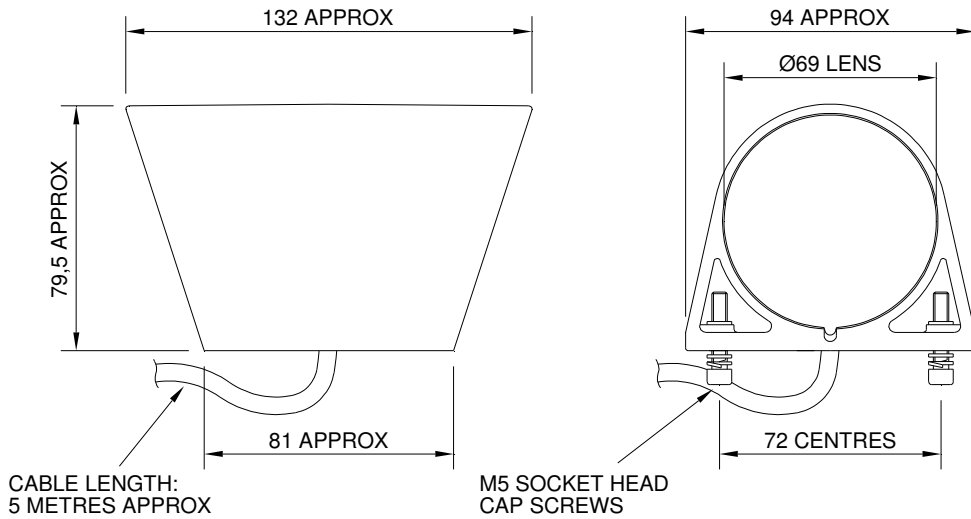
24 Volt DC LED Barrier Boom Light BBL2N/R

Installation Instruction

To be read before commencing
Operation



Barrier Boom Light Overall Dimensions



INSTALLATION INSTRUCTIONS

It is recommended that this unit is installed by a qualified electrician and wired in accordance with the relevant track and signal code of practice.

Please Note:- There are no serviceable parts inside.

Mounting:-

1. The unit has been designed to fit existing Barrier Boom arms with pitch dimensions of 72 mm between centres.
2. Remove the two M5 stainless steel screws and associated washers.
3. Feed the cable into the boom arm and connect with approved connectors. The unit is not polarity conscious but we recommend wire colour conventions are followed. Ensure grommets / cable ties are used where required to prevent cable damage.
4. Secure the Boom Light in position with the screws and washers provided using a 4mm A/F Hex Key. Maximum recommended torque 4.5Nm.

Specification:-

- Compliant with Line specification RT/E/10073 Issue 1
- Nominal Supply Voltage: 24V dc
- Railway Approval Certificate No PA05/273
- Railtrack Industry Part No 086/028738
- 
- Dorman Part No BBL2N/R

Disposal Instructions:-

Disposal in accordance with local and national regulations.