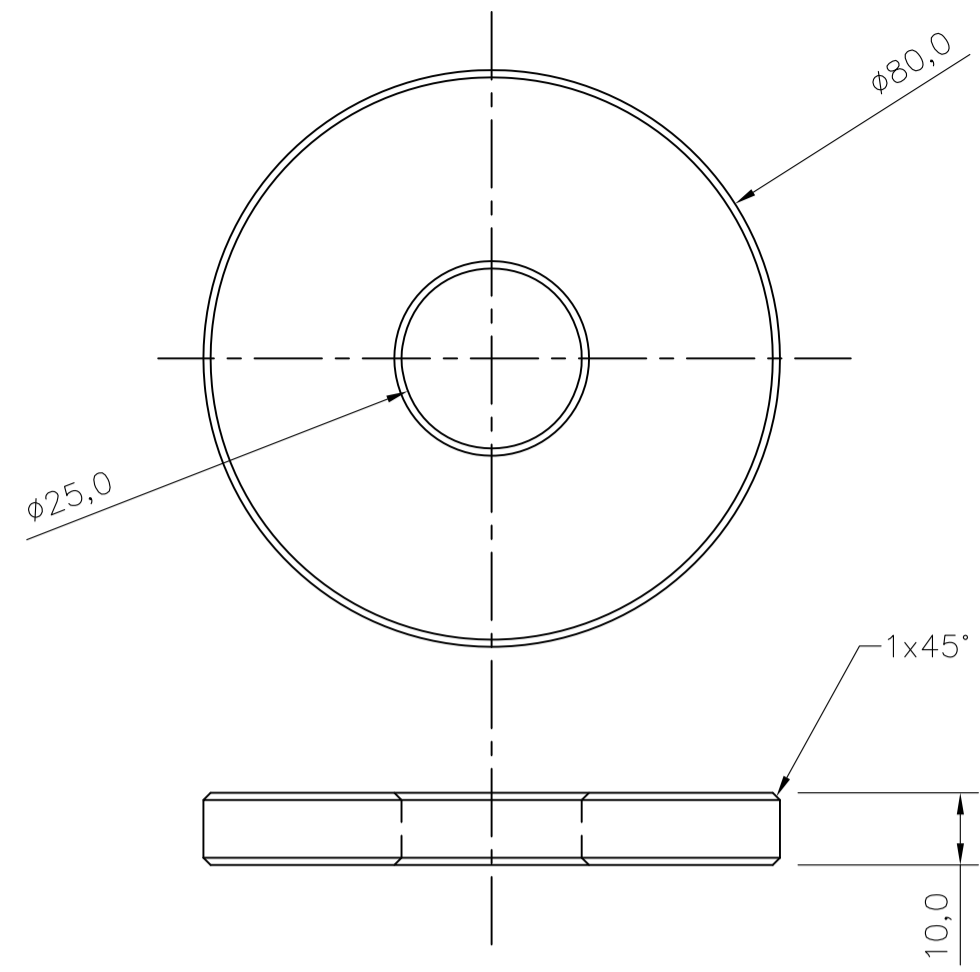
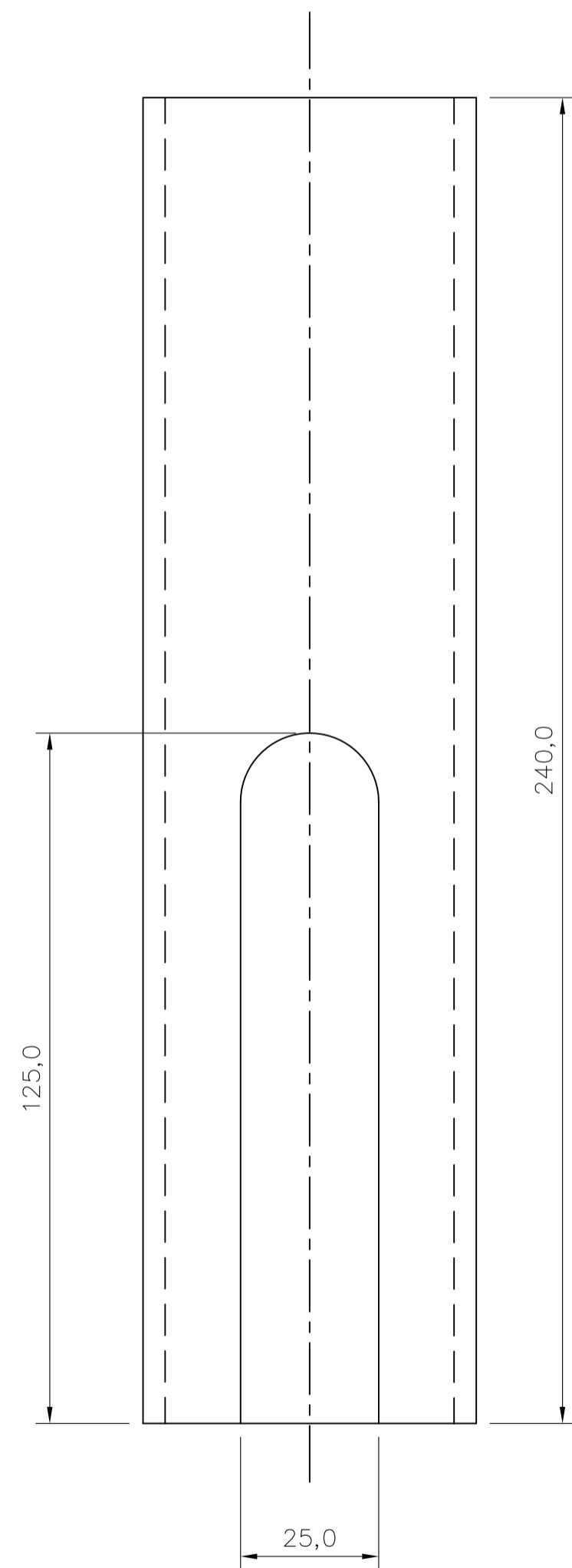




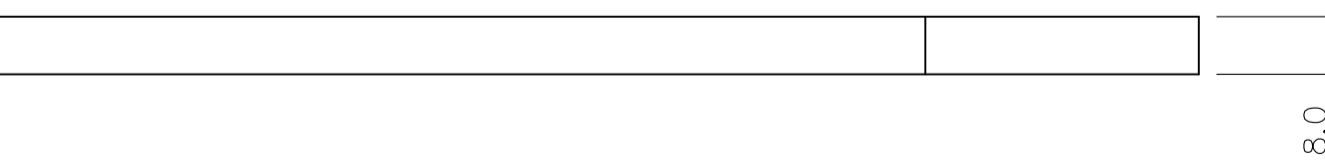
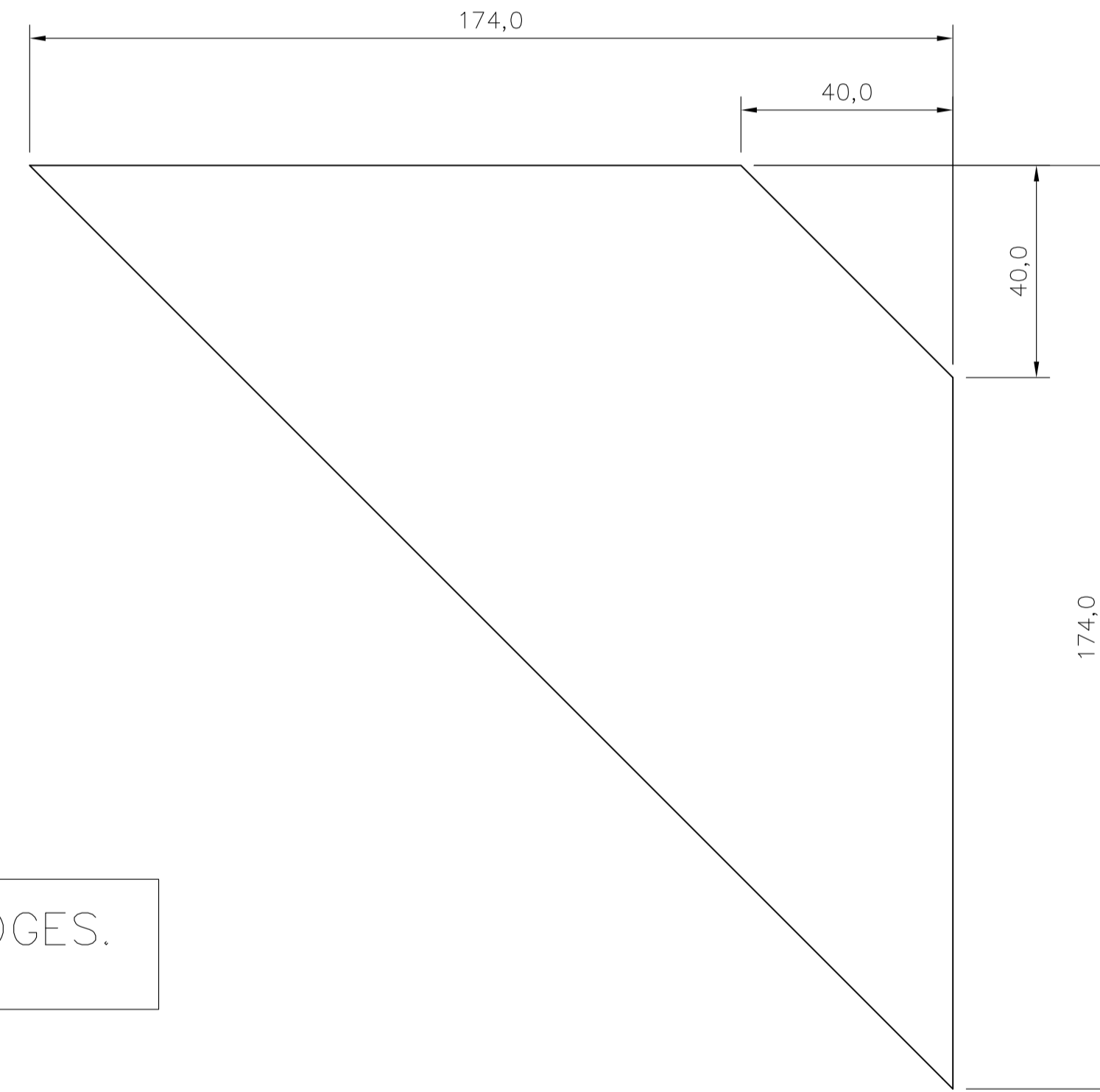
Uncontrolled When Printed



PART C – MOUNTING POST CAP  
MATL: M.S. BAR

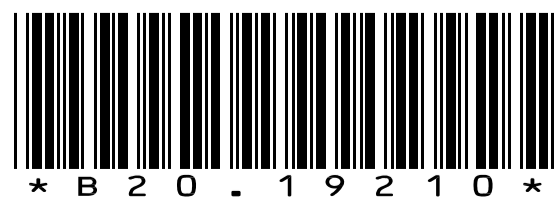


PART B – MOUNTING POST  
MATL: 60.3 O/D x 5.0 THICK CHS



PART D – RIB  
MATL: 8mm M.S. PLATE

REMOVE ALL BURRS AND SHARP EDGES.



DO NOT SCALE

ALL DIMENSIONS IN mm UNLESS OTHERWISE STATED

DORMAN REF No.

CUSTOMER REF No.

TITLE		THIRD ANGLE PROJ	
SIGNAL INTERFACE BRACKET		Document N° 0125-4158-2	
MATERIAL		TOLERANCES	
	X	+ / -	0,25
	X,0	+ / -	0,10
	X,00	+ / -	0,05
	X,000	+ / -	0,025
	ANGULAR	+ / -	0,25°

DRAWN	M DURHAM
APPROVED	L GREEN
DATE	20/02/2006
SCALE	1:1
SHEET	2 OF 2 SHEETS

3	31/01/13	MD	SEE DCC No.6401
2	18/08/09	BT	SEE DCC No.4811
1	19/06/06	MD	SEE DCC No. 3074
0	07/06/06	MD	DCC No.
ISS	DATE	INI	ALTERATIONS

**DORMAN**

SOUTHPORT PR9 8LA ENGLAND

THIS DOCUMENT AND THE INFORMATION THEREIN IS CONFIDENTIAL AND MAY NOT BE USED OR DISCLOSED WITHOUT WRITTEN AUTHORIZATION

DRAWING No PART No.

ISSUE

B20.19210

