



LED Barrier Boom Light

Level Crossing Boom Light Indicator



Unipart Dorman LED Barrier Boom Lights are fitted on Level Crossing barriers and gates to clearly indicate to vehicles and pedestrians that the crossing is closed.

The lights offer a cost effective solution as they are a direct fit to most of the current in service booms without any additional hoods or fittings. They are also virtually maintenance free, requiring only simple cleaning when necessary.

The Barrier Boom Light is fully Network Rail approved on Acceptance no. PA05/00273 and is compliant with line specification RT/E/S/10073.

Features and Benefits

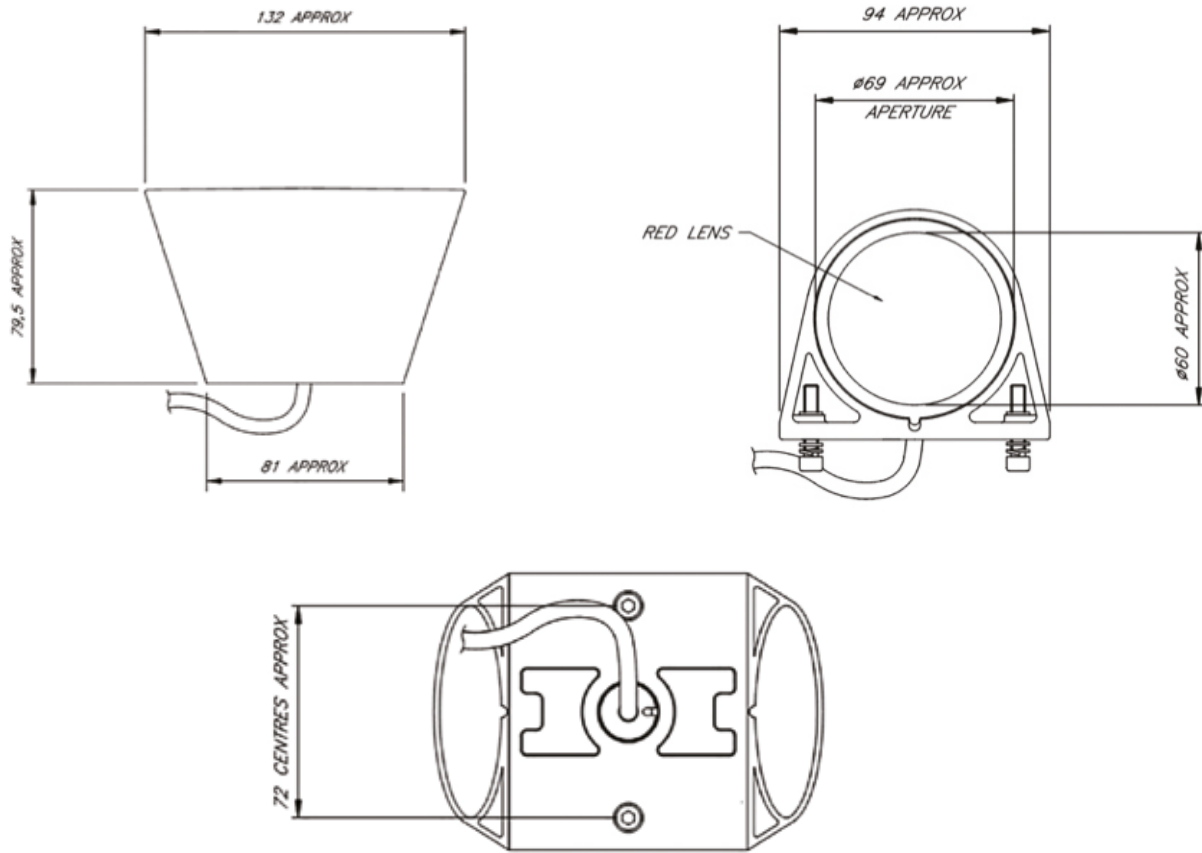
- Significant cost savings
- Virtually zero maintenance
- Shock resistant
- Weatherproof
- Quick and Easy to fit
- Sealed for life to IP54
- Available in 12Vdc or 24Vdc
- Maximum operating current 50mA
- Vandal Proof

Ordering

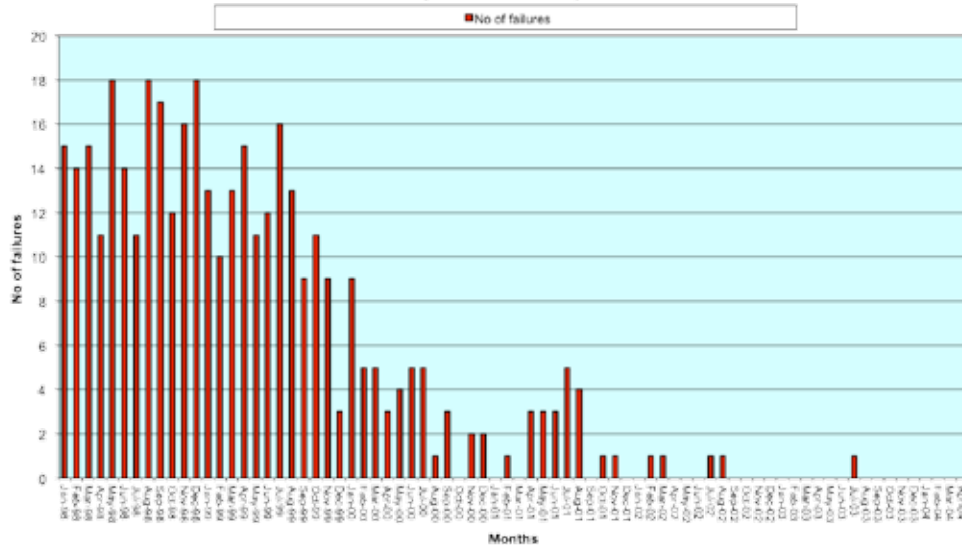
Item	PADS/Cat No.	Unipart Dorman Part No.
24Vdc LED Barrier Boom Light	0086/028738	BBL2N/R
12Vdc LED Barrier Boom Light	0086/024174	BBL2N/R/2



Product Drawings



Amey Rail Boom Lamp failures (inc South Wales under Amey Rail and GTRM Mtce)
(01/01/98 - 30/04/04)



About Unipart

The Unipart Group is a leading UK manufacturer, full service logistics provider and consultant in operational excellence. Operating across a range of market sectors, including automotive, manufacturing, mobile telecoms, rail, retail and technology, Unipart offers a breadth of services to a wide range of blue chip clients internationally.

Unipart Dorman

Wennington Road, Southport,
Merseyside, PR9 7TN

Tel: +44 (0) 1704 518000

Fax: +44 (0) 1704 518001

email: dorman.enquiries@unipartdorman.co.uk

www.unipartdorman.co.uk



Our products are distributed through Unipart Rail
Visit www.unipartrail.com for details