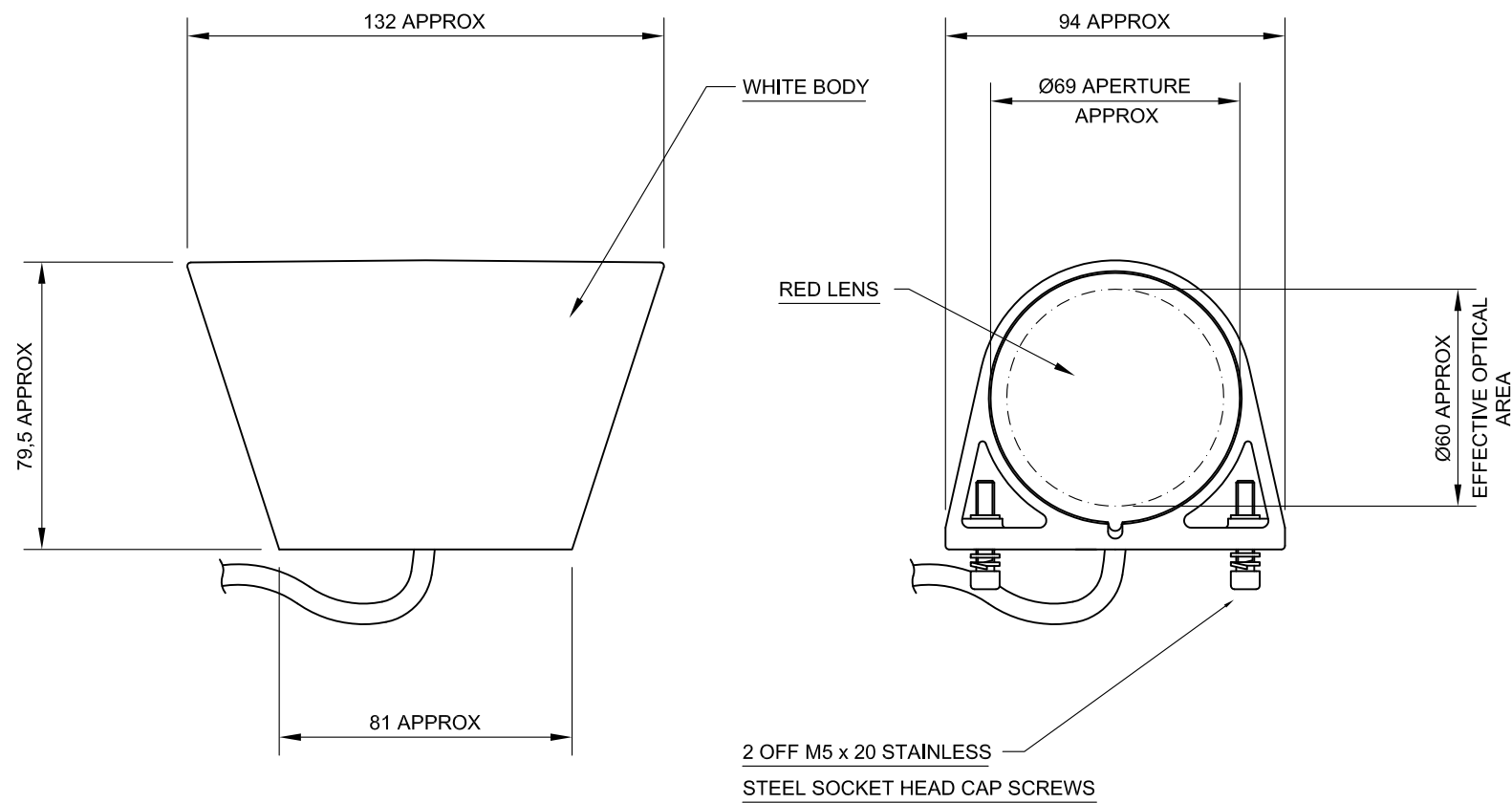


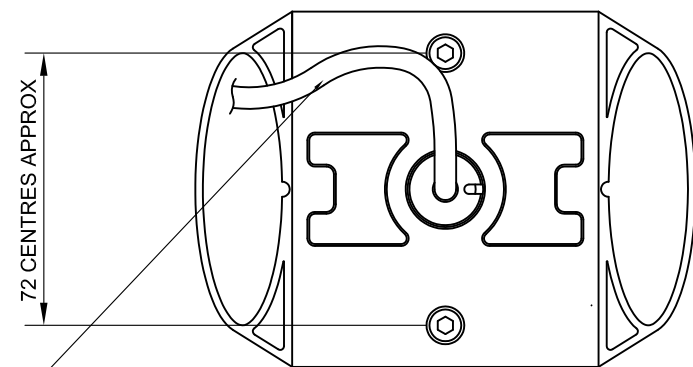
Uncontrolled When Printed

# BARRIER BOOM LIGHT SPECIFICATION DRAWING



REFER TO DORMAN DOCUMENT BBL2N/R/2TS FOR THE TECHNICAL SPECIFICATION.

BUILT AND TESTED IN ACCORDANCE WITH BBL2N/R/2SOP



MANUFACTURED TO GENERAL ASSEMBLY PART No. D79.78014

2	17/10/13	DR	SEE ECN250_0
1	08/09/08	DR	SEE DCC4281
0	11/08/08	DR	ORIGINAL DCC4254
ISS	DATE	INI	ALTERATIONS

**UNIPART**  
**RAIL**  
**DORMAN**  
SOUTHPORT PR9 8LA ENGLAND

THIS DOCUMENT AND THE INFORMATION THEREIN IS CONFIDENTIAL AND MAY NOT BE USED OR DISCLOSED WITHOUT WRITTEN AUTHORIZATION

DRAWING / PART No.  
BBL2N/R/2

DORMAN REF No.		TITLE 12V BARRIER BOOM LIGHT SPECIFICATIONS			PROJECT No. 081	
CUST REF NO.		MATERIAL		TOLERANCES		DRAWN D RULER
ALL DIMENSIONS IN MM UNLESS OTHERWISE STATED. DO NOT SCALE		3RD ANGLE PROJ		X	+ / -	0,25
				X,0	+ / -	0,10
				X,00	+ / -	0,05
				X,000	+ / -	0,025
				ANGULAR	+ / -	0.25°
				CHECKED IW	AUTH. BW	DATE 06/08/08
				SCALE 1:2		SHEET 1 OF 1 SHEETS

