



Wennington Road, Southport PR9 7TN. England
Tel: 01704 518000 Fax: 01704 518001
WEB SITE <http://www.unipartdorman.co.uk>
E MAIL address – dorman.info@unipartdorman.co.uk

Health and safety

Every effort has been made to ensure the accuracy of the information given in our publications, but in accordance with our policy of continually improving our products we reserve the right to modify designs and specifications whenever necessary. All equipment is designed to conform to relevant British and International standards. Every care is taken to ensure that, as far as reasonably practical, it will perform without risk to health. It is essential that accepted codes of professional practice are followed in the assembly, installation and commissioning of the equipment. If in doubt with respect to any of these instructions, please consult Dorman before installing the device.

Dorman reserves the right to vary any component part to meet the required specifications without prior notice.



Certificate No. FM 14371

Dorman ref. No C64.63325 Iss3

Level Crossing Road Signal (Wig Wag) LED Module

Installation Instructions

To be read before commencing
Installation



Installation Instructions

It is recommended that this unit is installed by a qualified electrician and wired in accordance with the latest edition of the IEE Electrical Regulations.

Mounting:

1. ALWAYS TURN OFF ELECTRICITY AT MAINS BEFORE COMMENCING WORK.
2. The mounting has been designed for retro-fit to existing systems and allows angular adjustment prior to tightening of the M20 fixing bolt
3. The module must be installed with the metal identification label on the top side as shown un the diagram.

Electrical:

The supply leads to the module are not polarised therefore either cable can be connected to positive or negative.

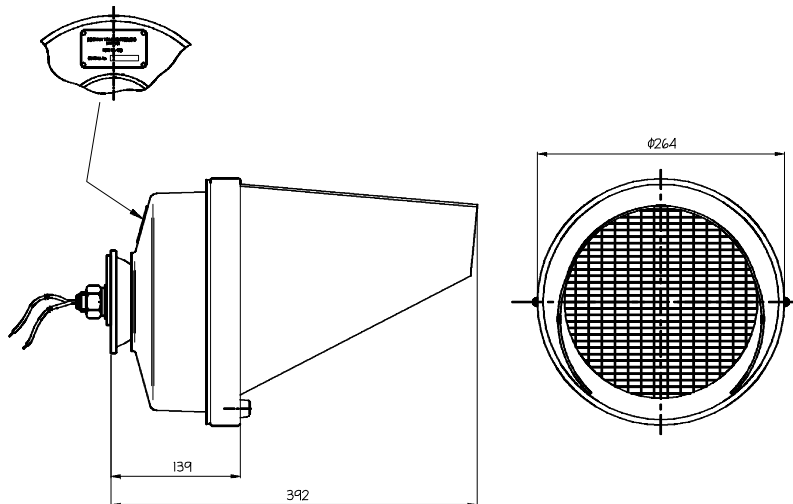
Part Numbers:

LED Wig Wag Module (Red):	LWWM2/R/2/50/01 (PADS No. 086/023395)
LED Wig Wag Module (Amber):	LWWM2/A/2/50/01 (PADS No. 086/023396)

Approvals and Specifications:

Acceptance Number:	PA05/02434
Operating Voltage range:	18vDC to 31.2vDC
Nominal Operating Voltage:	24vDC
Nominal Operating Current:	900mA
Dust/Water Ingress Rating:	IP65
Module Weight:	4.4Kg

Wig Wag Dimensions



BS EN 60598-1 : 1997
BS EN 55014 : 1993
BS EN 50082 : 1992

Luminaires
EMC Emmissions
EMC Immunity