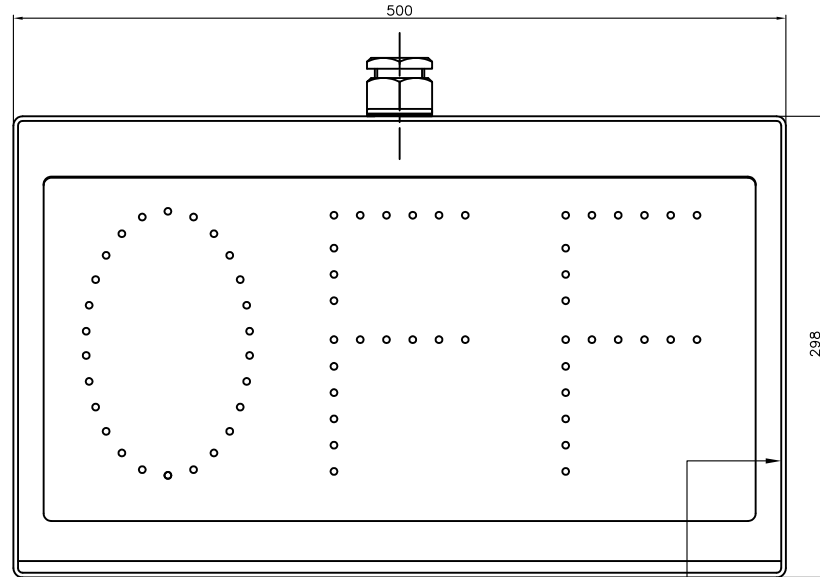
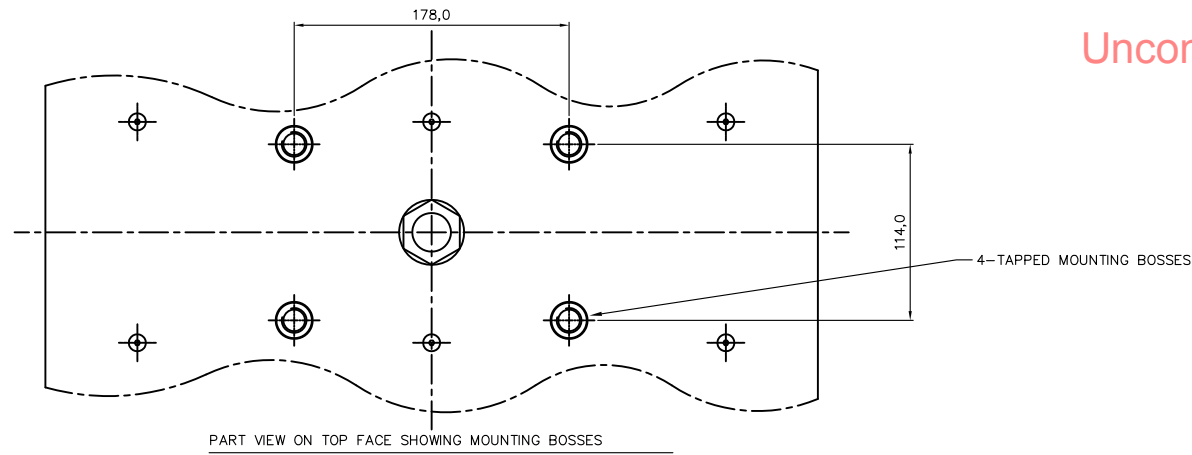
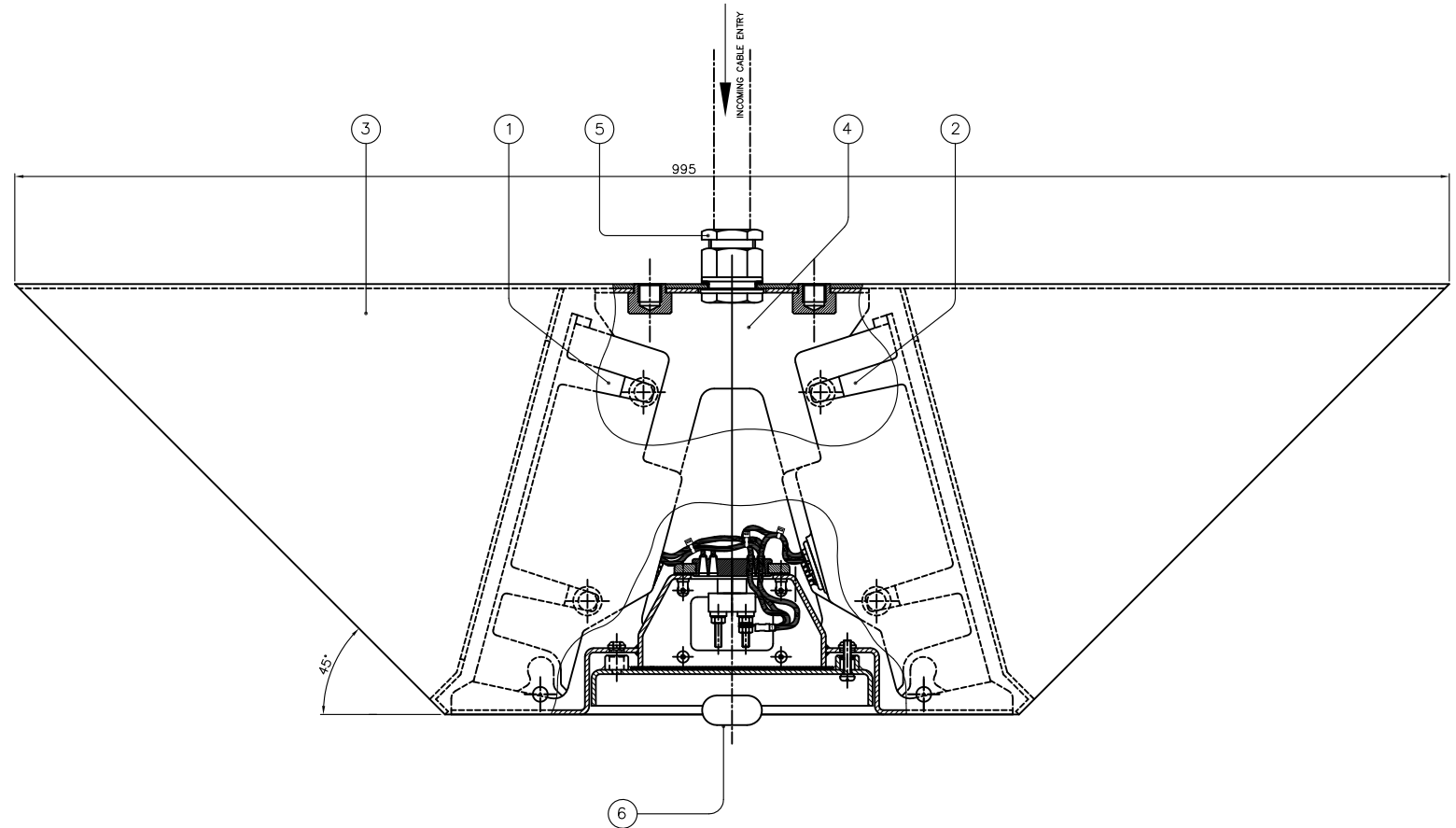


Uncontrolled When Printed

ITEM	QTY	PART N°	MATERIAL	DESCRIPTION
1	1	SEE CHART	ALUMINIUM CASTING	DOUBLE REAR ENCLOSURE ASSY
2	1	SEE CHART	ALUMINIUM CASTING	DOUBLE REAR ENCLOSURE ASSY
3	1	B20.19097	3 MM ALUMINIUM FABRICATION	OUTER COVER
4	1	B20.19152	3MM ALUMINIUM FABRICATION	"A" FRAME
5	1	B19.18015	NYLON	M32 GPL CABLE GLAND
6	1	PADS 0086/029003	BRASS	RKB221 PADLOCK



**STENCIL INDICATOR S/OFF-----/1D  
SHOWN FOR ILLUSTRATION ONLY**

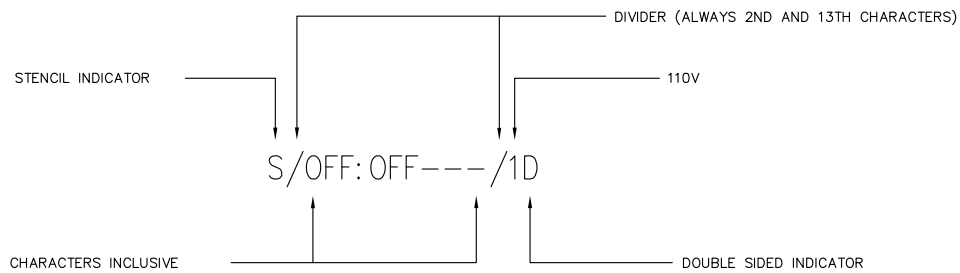


OUTSIDE FACES AND INTERNAL FRONT FACES TO BE PAINTED AS FOLLOWS  
ETCH PRIMER 2 PACK -BASE BR SPEC 81 ITEM 104A  
ACID BR SPEC 81 ITEM 104B  
TOP COAT - MICACEOUS IRON OXIDE MATT BLACK BR SPEC 70 ITEM 30

PADS No.	DORMAN PART No.	DESCRIPTION	REAR ENCLOSURE ASSY PART No
086/021021	S/OFF: OFF-----/1D	DOUBLE STENCIL INDICATOR, OFF, 110V, PROVING	D82.81020
086/021021	S/S-(SPECIAL 1 INDICATION)-/1D	DOUBLE STENCIL INDICATOR, SPECIAL, 110V, PROVING	CONTACT DORMAN SALES-RAIL
086/021021	S/S-(SPECIAL 2 INDICATION)-/1D	DOUBLE STENCIL INDICATOR, SPECIAL, 110V, PROVING	CONTACT DORMAN SALES-RAIL
086/021021	S/S-(SPECIAL 3 INDICATIONS)-/1D	DOUBLE STENCIL INDICATOR, SPECIAL, 110V, PROVING	CONTACT DORMAN SALES-RAIL
086/021021	S/S-(SPECIAL 4 INDICATIONS)-/1D	DOUBLE STENCIL INDICATOR, SPECIAL, 110V, PROVING	CONTACT DORMAN SALES-RAIL

NOTE: -IF NOT COVERED IN THE ABOVE TABLE, A CUSTOMER SPECIFIC INDICATOR ORDER MUST QUOTE THIS DRAWINGS GENERIC PADS NUMBER AND THE DORMAN PART NUMBER.

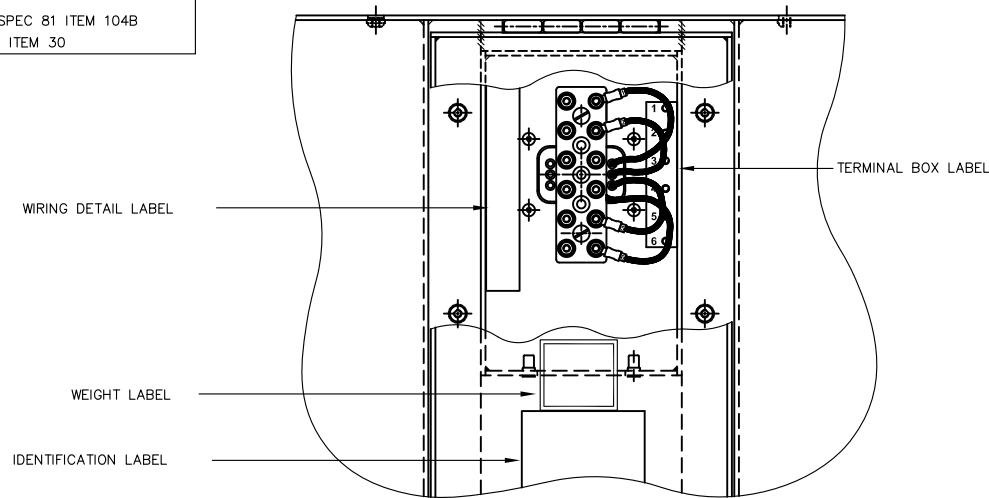
THE DORMAN PART NUMBER COMPRISES A 15-DIGIT CODE, SIGNIFYING THE FOLLOWING: -



3RD TO 12TH CHARACTERS INCLUSIVE CONTAIN THE ALPHANUMERIC CODE TOGETHER WITH COLONS, WHICH SIGNIFY THE LETTERS AND NUMBERS TO BE DISPLAYED AND THE NUMBER OF SWITCHING CIRCUITS.

e.g. S/R: 5: MR: 5: M/1D

THE ABOVE DENOTES A STENCIL INDICATOR WHICH DISPLAYS R 5 M, INDEPENDANTLY CONTROLLED BY THREE CIRCUITS OPERATING ON 110V SUPPLY AND IS A DOUBLE SIDED UNIT, THE SAME DISPLAY AND CONTROL CIRCUITS BEING REPEATED FOR THE SECOND SIDE. (THE COLONS BETWEEN R, 5 AND M, SIGNIFIES THAT EACH LETTER HAS ITS OWN CIRCUIT).



ISS	DATE	INI	ALTERATIONS
1	22/01/07	BT	SEE DCC 3449
0	07/06/05	BT	DCC No. 2809

**DORMAN**

SOUTHPORT PR9 8LA ENGLAND

TITLE		THIRD ANGLE PROJ	
DOUBLE MINIATURE ALPHANUMERIC ROUTE INDICATOR ASSY		Document N° 0100-2211-1	
MATERIAL		DRAWN	BT
TOLERANCES		APPROVED	LG
X,0	+ / -	DATE	01/06/2005
X,00	+ / -	SCALE	1:1
X,000	+ / -	SHEET	1 OF 1 SHEETS
ANGULAR	+ / -		

DORMAN REF No.  
GENERIC DOUBLE MINIATURE  
ALPHANUMERIC ROUTE INDICATOR

CUSTOMER REF No.

ALL DIMENSIONS IN mm UNLESS OTHERWISE STATED

THIS DOCUMENT AND THE INFORMATION THEREIN IS CONFIDENTIAL AND MAY NOT BE USED OR DISCLOSED WITHOUT WRITTEN AUTHORIZATION

DRAWING No PART No. ISSUE  
GENERIC DOUBLE MINIATURE ALPHANUMERIC ROUTE INDICATOR 1

**DO NOT SCALE**

ORIGINAL DRAWING FRAME A1 DO NOT SCALE