



# LED Points Indicator



- Increased safety and reliability
- Reduced maintenance costs
- Directly interchangeable with existing units
- LED light sources give a long service life
- Complies with Network Rail Group Standard GK/RT/0057

The Unipart Dorman LED Points Indicators are based on the proven technology of the LED Driver's Signal Lamp Module, and are used to indicate to drivers the position Points are set to.

Network Rail Product Acceptance No:

PA05/02971 LED Points Indicator  
PA05/04180 LED Departure Direction Points Indicator

PADs No:

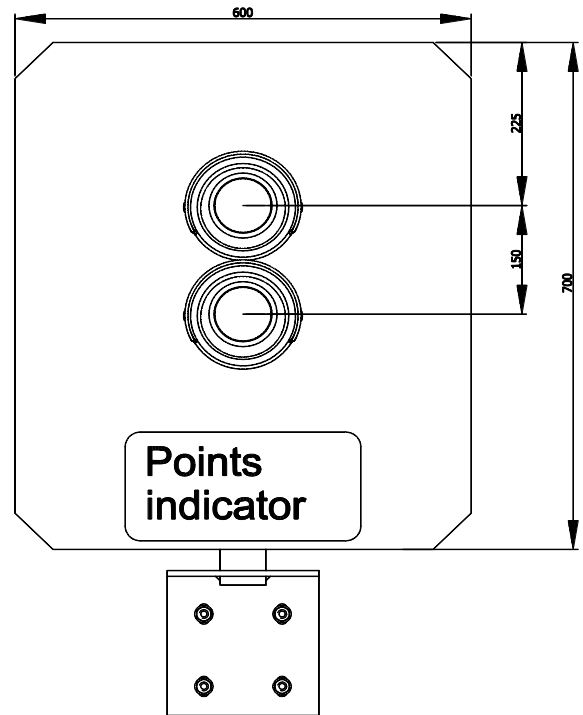
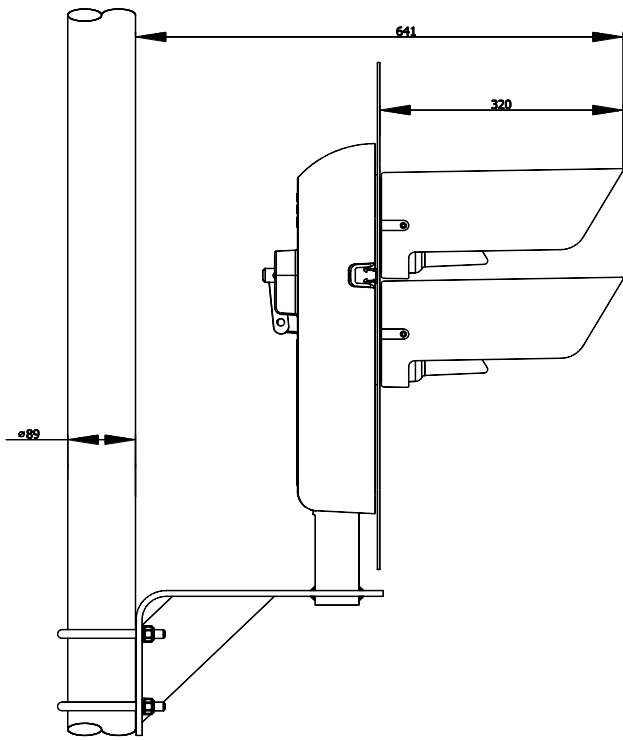
0086/017721 Elevated LED Points Indicator  
0086/021018 Ground LED Departure Direction Points Indicator

## Key Specifications

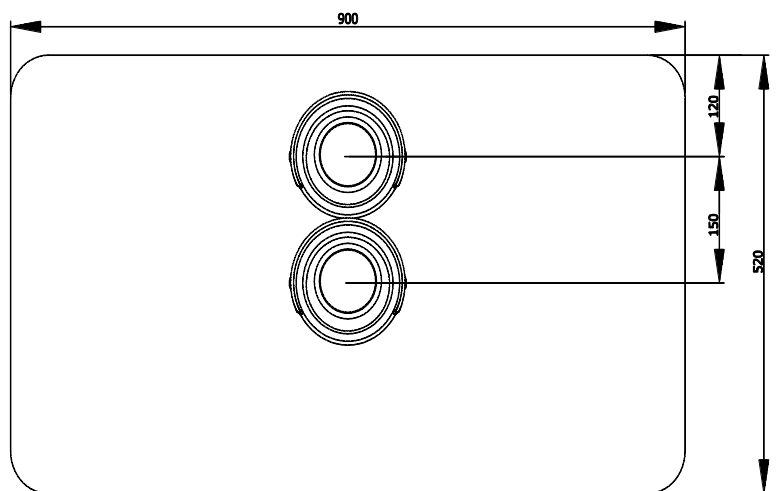
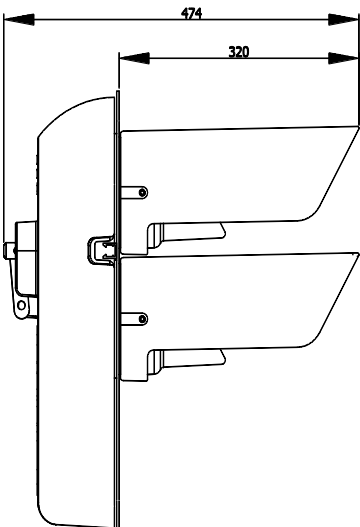
Operating Temperature Range:	-25°C to +40°C
Nominal Operating Voltage:	24Vdc
Operating Voltage Range:	18Vdc - 31.2Vdc
Operating Current:	0.15 amps
Points Indicator SLM Colours:	Red and Yellow
Departure Direction Points Indicator SLM Colours:	Red and Blue

- Indicators are sealed to IP54
- Supplied with 320mm visors as standard (longer 'c' shaped visor is available for the points indicator when specified by the Signal Sighting Committee)
- Red Aspects are flashed internally, other aspects require an external flasher unit
- Supplied with an interface bracket to enable post mounting

## Points Indicator



## Departure Direction Points Indicator



## About Unipart

The Unipart Group is a leading UK manufacturer, full service logistics provider and consultant in operational excellence. Operating across a range of market sectors, including automotive, manufacturing, mobile telecoms, rail, retail and technology, Unipart offers a breadth of services to a wide range of blue chip clients internationally.

### Unipart Dorman

Wennington Road, Southport,  
Merseyside, PR9 7TN

Tel: +44 (0) 1704 518000

Fax: +44 (0) 1704 518001

email: [dorman.enquiries@unipartdorman.co.uk](mailto:dorman.enquiries@unipartdorman.co.uk)

[www.unipartdorman.co.uk](http://www.unipartdorman.co.uk)



Our products are distributed through Unipart Rail  
Visit [www.unipartrail.com](http://www.unipartrail.com) for details