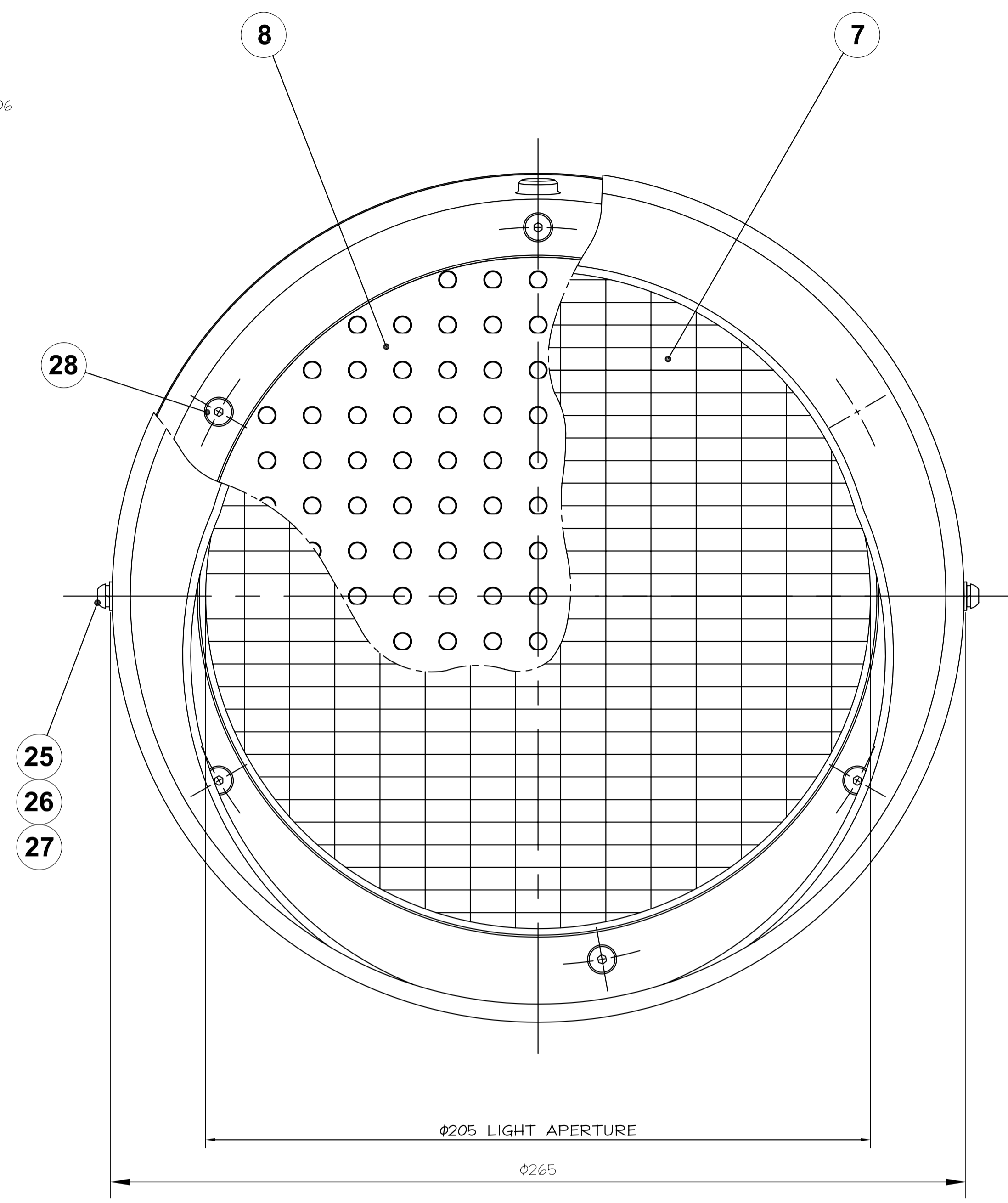
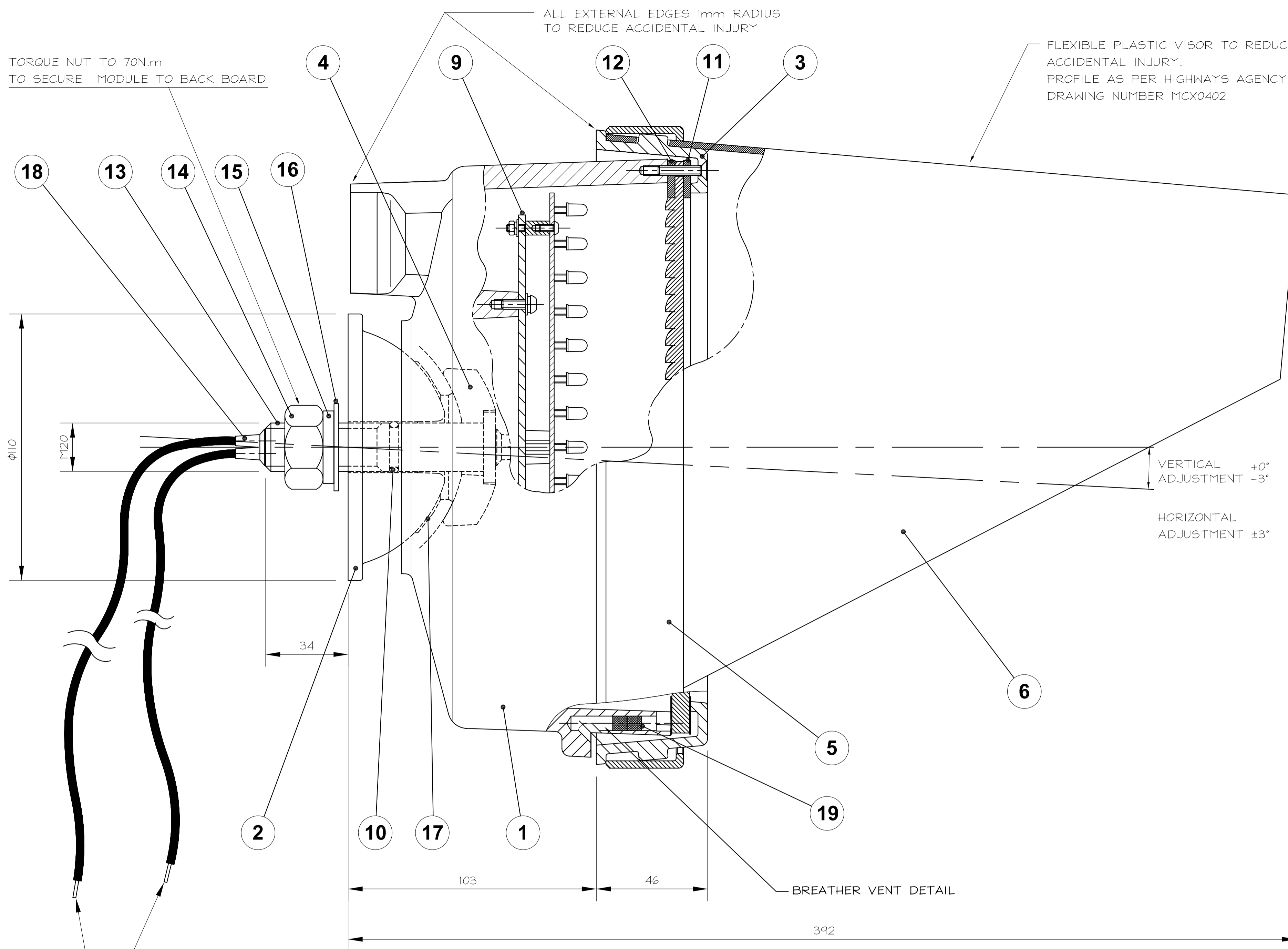


ALL EXTERNAL EDGES 1mm RADIUS
TO REDUCE ACCIDENTAL INJURY

FLEXIBLE PLASTIC VISOR TO REDUCE
ACCIDENTAL INJURY.
PROFILE AS PER HIGHWAYS AGENCY TR2206
DRAWING NUMBER MCX0402

TORQUE NUT TO 70N.m
TO SECURE MODULE TO BACK BOARD



ITEM	QTY	PART N°	MATERIAL	DESCRIPTION
1	1	B87.86004	ALUMINIUM	HOUSING CASTING
2	1	B87.86001	ALUMINIUM	SEATING CASTING
3	1	B87.86002	ALUMINIUM	CLAMP RING CASTING
4	1	B87.86003	ALUMINIUM	CLAMP WASHER CASTING
5	1	B20.19128	ALUMINIUM	VISOR RETAINING RING
6	1	B87.86005	POLYPROP.	VISOR
7	1	B87.86006	LEXAN	LENS-YELLOW
8	1	D87.86001	VARIOUS	LED PCB SUB-ASSEMBLY - YELLOW
9	1	B20.19127	ALUMINIUM	PCB MOUNTING PLATE
10	1	B09.08189	NEOPRENE	BOLT SEAL
11	1	B09.08190	NEOPRENE	LENS FRONT SEAL
12	1	B09.08233	NEOPRENE	LENS REAR SEAL
13	1	C60.59096	ST. STEEL	M20 X 90 LG HEX HD BOLT SS (MODIFIED)
14	1	B18.17122	ST. STEEL	M20 HEX FULL NUT SS
15	1	B18.17121	ST. STEEL	M20 SPRING WASHER SS
16	1	B18.17120	ST. STEEL	M20 PLAIN WASHER SS
17	1	B09.08191	NEOPRENE	REAR SEAL
18	2	C62.61137	EPDM RUBBER	BOLT GROMMET SEAL
19	2	B09.08137	FELT	BREATHER PLUG
20				
21				
22				
23				
24				
25	2	B18.17119	ST. STEEL	M4 X 12 LG BUTTON SOC HD SCREW SS
26	2	B18.17051	ST. STEEL	M4 SPRING WASHER SS
27	2	B18.17047	ST. STEEL	M4 PLAIN WASHER SS
28	6	B18.17118	ST. STEEL	M4 X 20 LG C/SUNK SOC HD SCREW
29				
30				

NOTE:
LED WIG WAG MODULE MUST BE USED IN CONJUNCTION WITH:-
RELAY - TY206/GRP2 (PADS NO. TBA)
PLUGBOARD - 062
FLASHER UNIT - HRP78500 (PADS NO. 085/002475)
ALTERNATIVE SUPPLIER OF FLASHER UNIT
MUST NOT BE USED.

ISS	DATE	INI	ALTERATIONS
3	17/11/05	MD	SEE DCC No. 2962
2	11/11/04	IW	SEE DCC No. 2590
1	13/10/04	DR	SEE DCC No. 2563
0	04/08/04	BT	DCC No. 2464

DORMAN

DORMAN TRAFFIC PRODUCTS LTD
SOUTHPORT PR9 8LA ENGLAND

TITLE LED WIG WAG MODULE - AMBER
THIRD ANGLE PROJ
Document N° 0108-779-1

MATERIAL	TOLERANCES
X	+ / - 0,25
X,0	+ / - 0,10
X,00	+ / - 0,05
X,000	+ / - 0,025
ANGULAR	+ / - 0,25°

DRAWN	BT	APPROVED	LG	DATE	04/08/2004	SCALE	1:1	SHEET	1 OF 1	SHEETS
DRAWING No PART No. 086/023396										
ISSUE 3										

UNCONTROLLED DOCUMENT

ALL DIMENSIONS IN mm UNLESS OTHERWISE STATED

DORMAN REF. No. LWWW2/A/2/50/01
CUSTOMER REF No.

DO NOT SCALE

ORIGINAL DRAWING FRAME A1 DO NOT SCALE