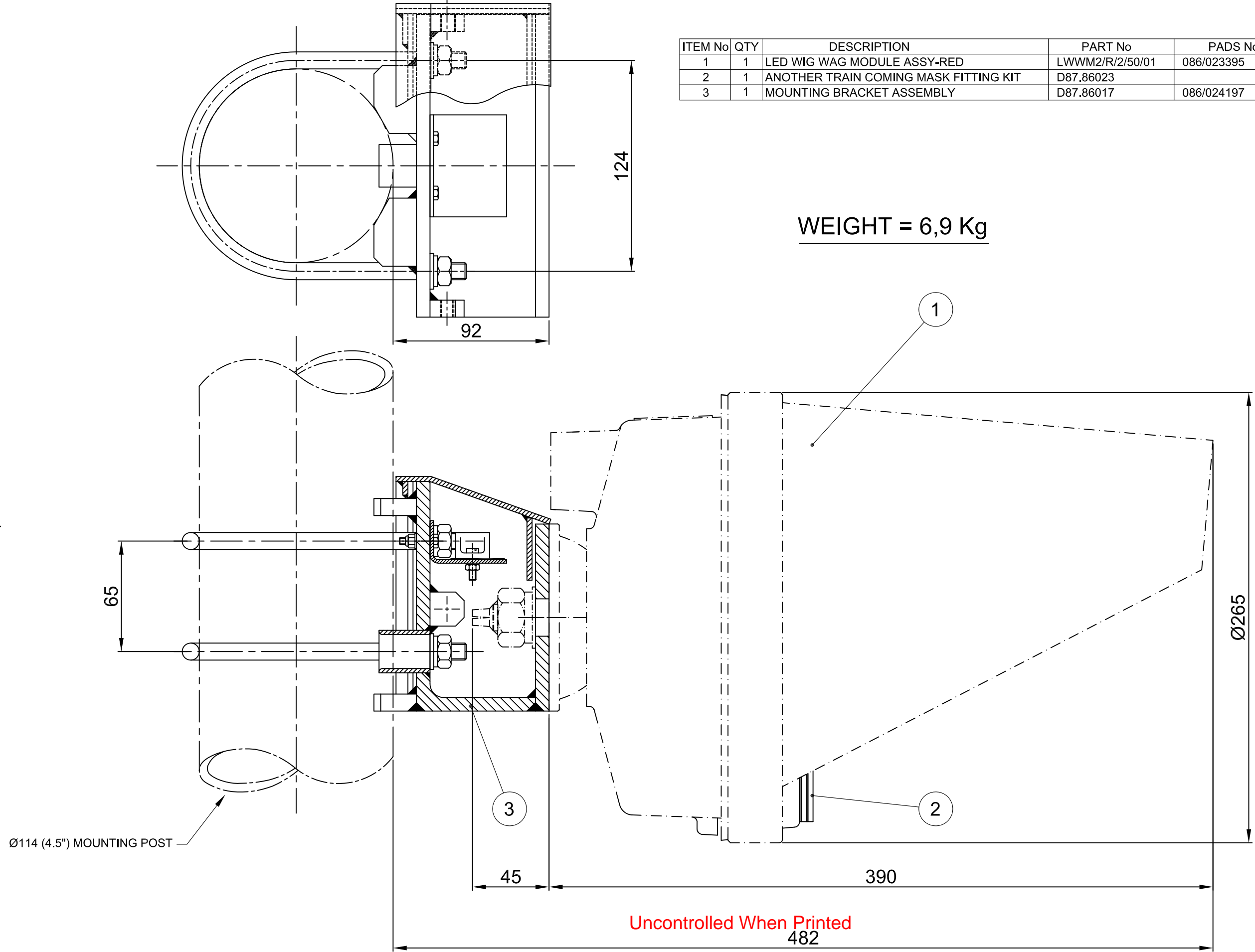


ITEM No	QTY	DESCRIPTION	PART No	PADS No.
1	1	LED WIG WAG MODULE ASSY-RED	LWWM2/R/2/50/01	086/023395
2	1	ANOTHER TRAIN COMING MASK FITTING KIT	D87.86023	
3	1	MOUNTING BRACKET ASSEMBLY	D87.86017	086/024197

WEIGHT = 6,9 Kg



Uncontrolled When Printed
482

1	30/07/12	IW	SEE DCC6147
0	20/05/11	BT	ORIGINAL DCC 5426
ISS	DATE	INI	ALTERATIONS



UNIPART RAIL LTD - DORMAN
WENNINGTON ROAD, SOUTHPORT. PR9 7TN.

THIS DOCUMENT AND THE INFORMATION THEREIN IS CONFIDENTIAL AND MAY NOT BE USED OR DISCLOSED WITHOUT WRITTEN AUTHORIZATION

DRAWING / PART No.
LWWAT/R/2/50/01

PART NUMBER BARCODE		DORMAN REF No.	TITLE	PROJECT No.
		LWWAT/R/2/50/01	ANOTHER TRAIN COMING WIG WAG COMPLETE ASSEMBLY	108
ALL DIMENSIONS IN MM UNLESS OTHERWISE STATED DO NOT SCALE		CUSTOMER REF No.	MATERIAL	TOLERANCES
3RD ANGLE PROJ				X + / - 0,25 X,0 + / - 0,10 X,00 + / - 0,05 X,000 + / - 0,025 ANGULAR + / - 0,25°
				DRAWN BT CHECKED IW AUTH. BW DATE 18/02/2011 SCALE NTS SHEET 1 OF 1 SHEETS