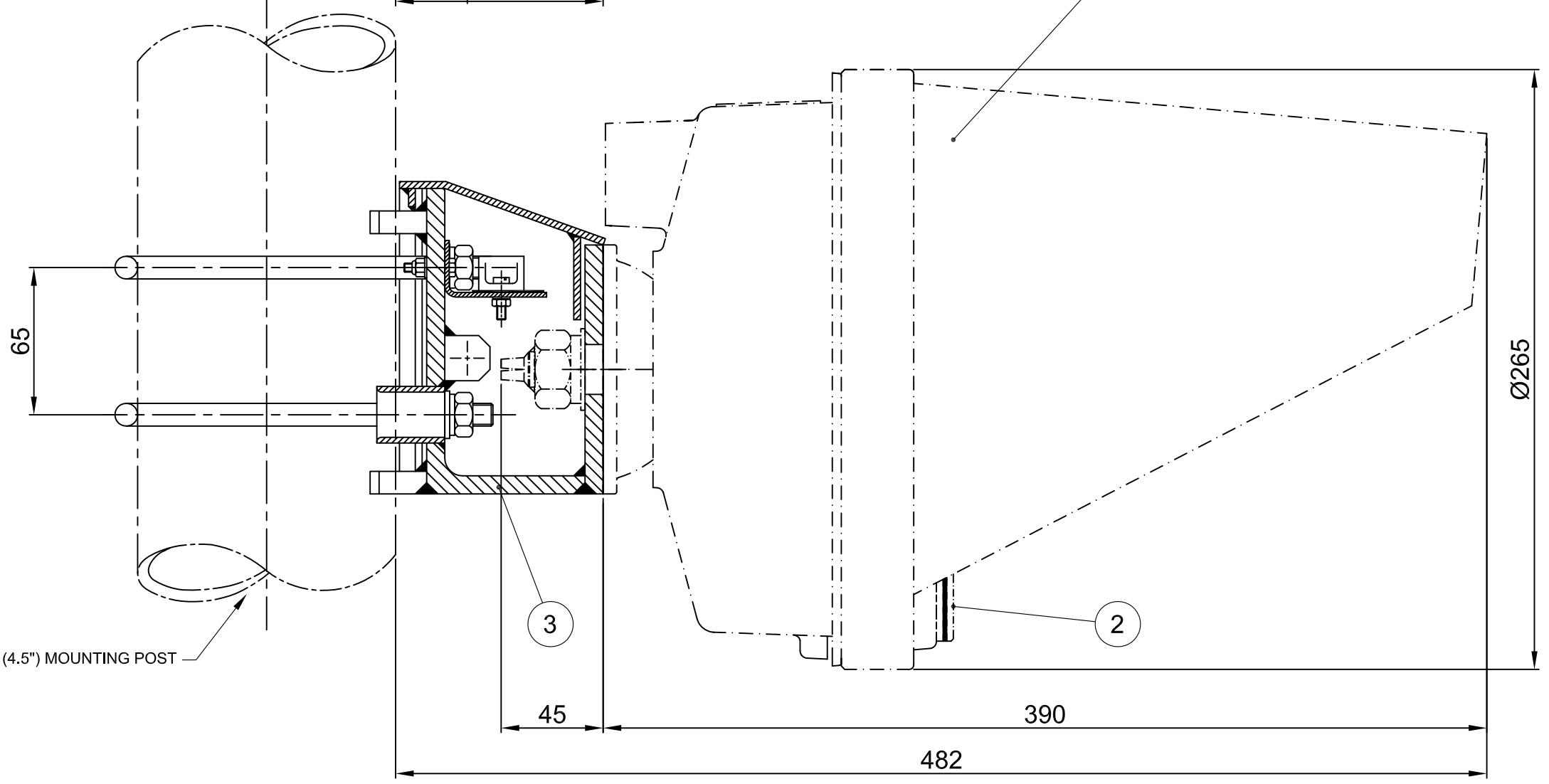


ITEM No	QTY	DESCRIPTION	PART No	PADS No.
1	1	LED WIG WAG MODULE ASSY-RED	LWWM2/R/2/50/01	086/023395
2	1	MAN MASK FITTING KIT	D87.86015	086/024196
3	1	MOUNTING BRACKET ASSEMBLY	D87.86017	086/024197

WEIGHT = 6,9 Kg



Ø114 (4.5") MOUNTING POST


1	30/07/12	IW	SEE DCC6147
0	29/06/09	BT	ORIGINAL DCC4751
ISS	DATE	INI	ALTERATIONS



UNIPART RAIL LTD - DORMAN
WENNINGTON ROAD, SOUTHPORT. PR9 7TN.

THIS DOCUMENT AND THE INFORMATION THEREIN IS CONFIDENTIAL AND MAY NOT BE USED OR DISCLOSED WITHOUT WRITTEN AUTHORIZATION

DRAWING / PART No.
LWWSM/R/2/50/01

PART NUMBER BARCODE  * D 8 7 - 8 6 0 1 7 *		DORMAN REF No.	TITLE WIG WAG "STANDING RED MAN" COMPLETE ASSEMBLY		PROJECT No. 108
CUSTOMER REF No.		MATERIAL	TOLERANCES	DRAWN BT	CHECKED IW AUTH. BW
ALL DIMENSIONS IN MM UNLESS OTHERWISE STATED DO NOT SCALE		3RD ANGLE PROJ	X + / - 0,25 X,0 + / - 0,10 X,00 + / - 0,05 X,000 + / - 0,025 ANGULAR + / - 0,25'	DATE 29/06/09	SCALE 1:1
PADS No. 086/024195		SHEET 1 OF 1 SHEETS		SHEET 1 OF 1 SHEETS	