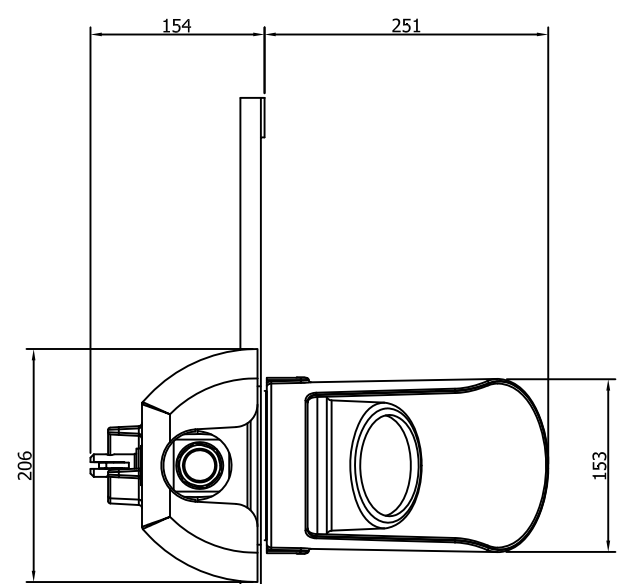


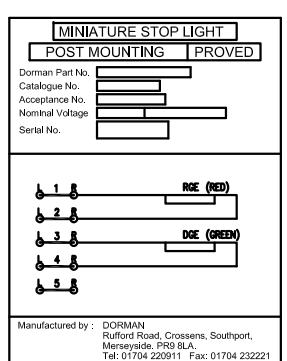
DETAIL OF POST MOUNT & CLAMPING ARRANGEMENT.  
NOTE: THIS SECTION IS COVERED BY CLOSURE OF THE HINGED DOOR FOR ANTI-VANDAL PURPOSES.



**SITE INSTALLATION NOTE**  
WHEN INSTALLING MSL ONTO POST, ENSURE THE FOLLOWING TORQUE SETTINGS ARE MET:  
4 OFF M6 SOCKET HD. SCREWS (CLAMPING BLOCK) - 6.8Nm.  
3 OFF M8 GRIP SCREWS (MIDDLE OF CLAMP BLOCK) - 6.8Nm.


Parts List				
ITEM	QTY	PART NUMBER	TITLE	MATERIAL
1	1	B20.19232	MSL BACKBOARD ASSY	ALUMINIUM
2	1	B81.80021	LOCKING BOLT ASSY	MILD STEEL (ZINC PLATED)
3	1	SLM2/G-/1/P/G	SLM ASSEMBLY GREEN - GROUND PADS No.0086/001299	ALUMINIUM
4	1	SLM2/R-/1/P/G	SLM ASSEMBLY RED - GROUND PADS No.0086/001294	ALUMINIUM
5	1	D81.80072	MAIN HOUSING ASSEMBLY	ALUMINIUM
6	2	B81.80000M003	VISOR (250 LONG)	ALUMINIUM

- NOTES:
- ALL ALUMINIUM COMPONENTS PAINTED ALL OVER WITH: POWDER COAT USING FERRO 384-70059 GREY FINE TEXTURE (COLOUR TO BS4800 00-A-05 GREY).
  - WIRING DIAGRAM ATTACHED TO INNER FACE OF COVER.
  - ALL FASTENERS - STAINLESS STEEL
  - RKB221 BRASS PADLOCK, PADS No. 086/029003 IS NOT SUPPLIED WITH THIS ASSEMBLY.



PRODUCT / WIRING DIAGRAM LABEL DETAIL FIXED TO INSIDE REAR DOOR

TOTAL ASSEMBLED SIGNAL MASS = 17kg.

PART NUMBER BARCODE  * PRE - MSHMW2 / RG / 1 / P / G *	DORMAN REF No.	TITLE	PROJECT No.
	CUSTOMER REF No.	MATERIAL	119
ALL DIMENSIONS IN MM UNLESS OTHERWISE STATED DO NOT SCALE	3RD ANGLE PROJ	TOLERANCES	DRAWN M DURHAM CHECKED IW AUTH. BW DATE 18/08/08 SCALE NTS SHEET 1 OF 1 SHEETS
		X + / - 0.25 X,0 + / - 0.10 X,00 + / - 0.05 X,000 + / - 0.025 ANGULAR + / - 0.25°	

0	19-08-08	MD	ORIGINAL DCC 4265
ISS	DATE	INI	ALTERATIONS
<b>UNIPART RAIL</b>			
<b>DORMAN</b>			
SOUTHPORT ENGLAND			
THIS DOCUMENT AND THE INFORMATION THEREIN IS CONFIDENTIAL AND MAY NOT BE USED OR DISCLOSED WITHOUT WRITTEN AUTHORIZATION			
DRAWING / PART No.			
PRE-MSHMW2/RG/1/P/G			