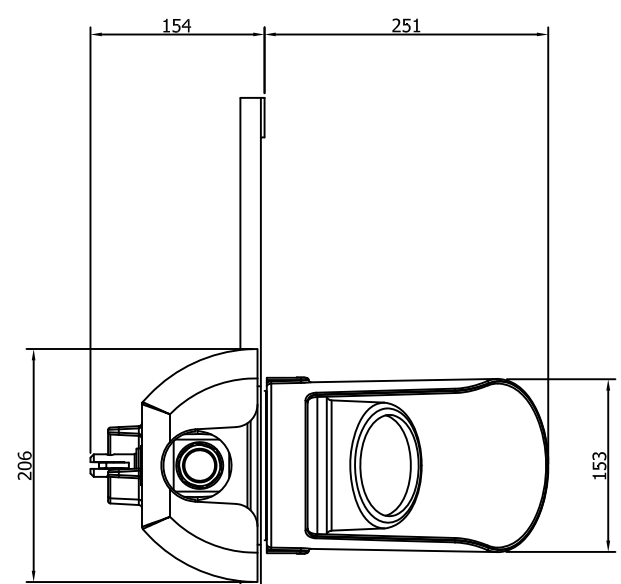


MSL MOUNTING POST (Ø60.3mm) AS NETWORK RAIL DRAWING BRS-SM91

DETAIL OF POST MOUNT & CLAMPING ARRANGEMENT.
NOTE: THIS SECTION IS COVERED BY CLOSURE OF THE HINGED DOOR FOR ANTI-VANDAL PURPOSES.

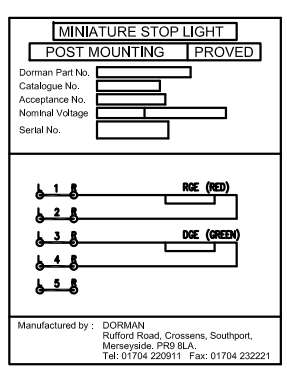


SITE INSTALLATION NOTE

WHEN INSTALLING MSL ONTO POST, ENSURE THE FOLLOWING TORQUE SETTINGS ARE MET:
4 OFF M6 SOCKET HD. SCREWS (CLAMPING BLOCK) - 6.8Nm.
3 OFF M8 GRIP SCREWS (MIDDLE OF CLAMP BLOCK) - 6.8Nm.


Parts List				
ITEM	QTY	PART NUMBER	TITLE	MATERIAL
1	1	B20.19233	MSL BACKBOARD ASSY	ALUMINIUM
2	1	B81.80021	LOCKING BOLT ASSY	MILD STEEL (ZINC PLATED)
3	1	SLM2/G-/1/P/G	SLM ASSEMBLY GREEN - GROUND PADS No.0086/001299	ALUMINIUM
4	1	SLM2/R-/1/P/G	SLM ASSEMBLY RED - GROUND PADS No.0086/001294	ALUMINIUM
5	1	D81.80072	MAIN HOUSING ASSEMBLY	ALUMINIUM
6	2	B81.80000M003	VISOR (250 LONG)	ALUMINIUM

- NOTES:
- ALL ALUMINIUM COMPONENTS PAINTED ALL OVER WITH: POWDER COAT USING FERRO 384-70059 GREY FINE TEXTURE (COLOUR TO BS4800 00-A-05 GREY).
 - WIRING DIAGRAM ATTACHED TO INNER FACE OF COVER.
 - ALL FASTENERS - STAINLESS STEEL
 - RKB221 BRASS PADLOCK, PADS No. 086/029003 IS NOT SUPPLIED WITH THIS ASSEMBLY.



PRODUCT / WIRING DIAGRAM LABEL DETAIL FIXED TO INSIDE REAR DOOR

TOTAL ASSEMBLED SIGNAL MASS = 17kg.

PART NUMBER BARCODE  * PRE - MSCM2 / RG / 1 / P / G *	DORMAN REF No.	TITLE	PROJECT No.
	CUSTOMER REF No.	MSL - PROCEED WITH CAUTION (MULTILINGUAL WELSH)	119
ALL DIMENSIONS IN MM UNLESS OTHERWISE STATED DO NOT SCALE	3RD ANGLE PROJ	MATERIAL	TOLERANCES
			X + / - 0.25 X,0 + / - 0.10 X,00 + / - 0.05 X,000 + / - 0.025 ANGULAR + / - 0.25°
		DRAWN M DURHAM CHECKED IW AUTH. BW DATE 18/08/08 SCALE NTS SHEET 1 OF 1 SHEETS	

0	19-08-08	MD	ORIGINAL DCC 4265
ISS	DATE	INI	ALTERATIONS
UNIPART RAIL			
DORMAN			
SOUTHPORT ENGLAND			
THIS DOCUMENT AND THE INFORMATION THEREIN IS CONFIDENTIAL AND MAY NOT BE USED OR DISCLOSED WITHOUT WRITTEN AUTHORIZATION			
DRAWING / PART No.			
PRE-MSCM2/RG/1/P/G			