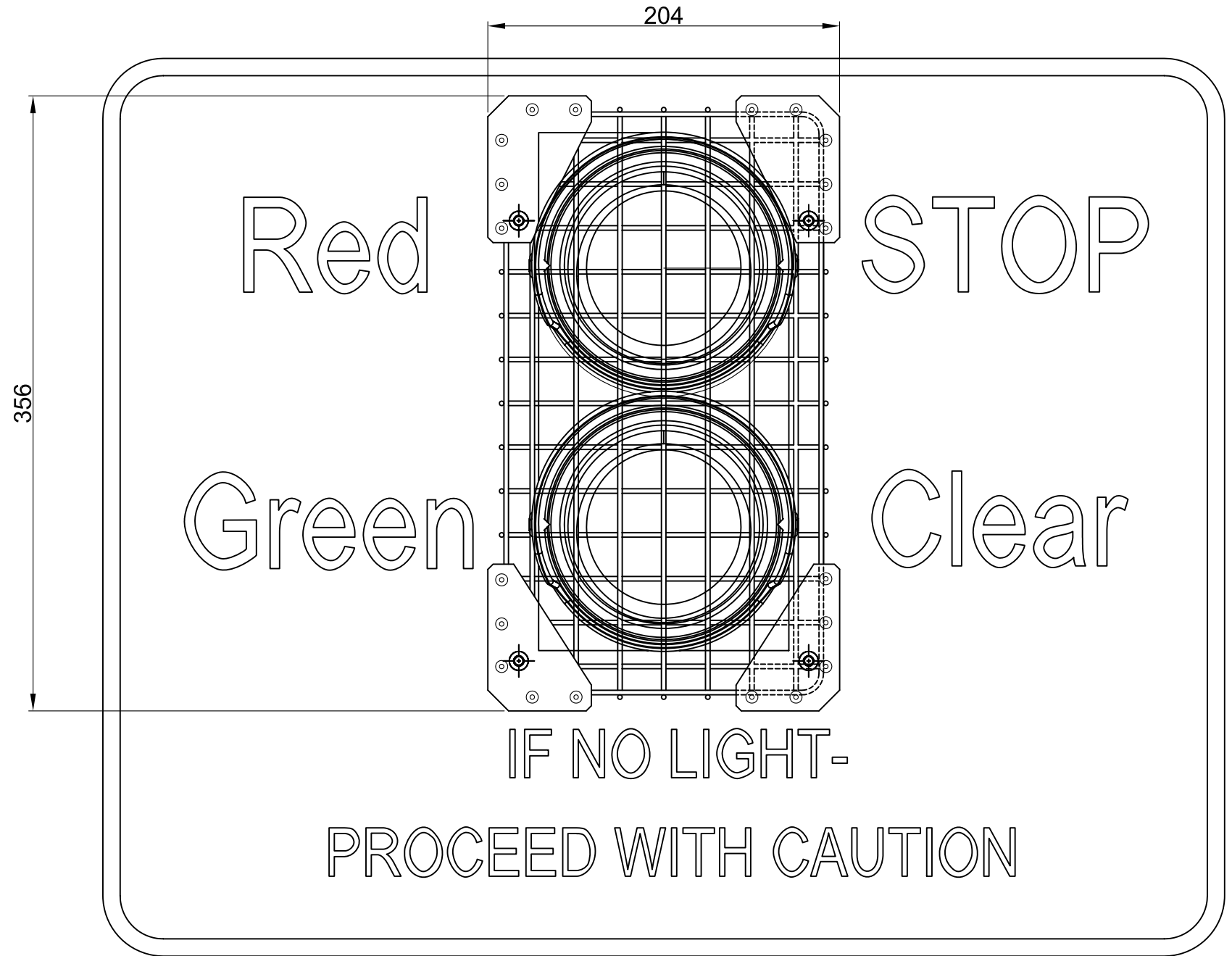
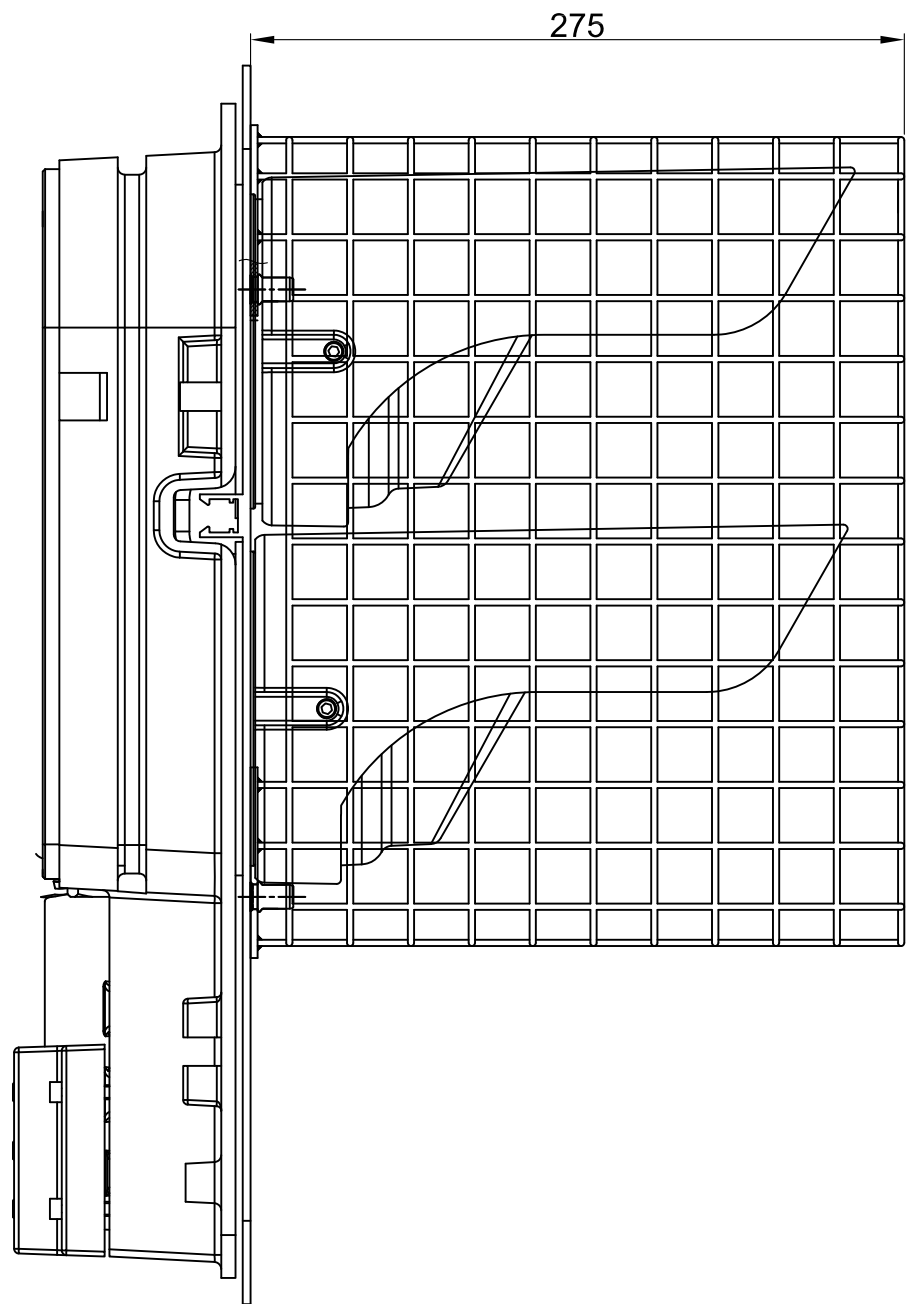


Uncontrolled When Printed



MSL WIRE GUARD FITTING KIT			
ITEM NO.	QTY.	PART NO.	DESCRIPTION
1	1	B20.19248	MSL WIRE MESH GUARD
2	4	B18.17138	M6 x 25 SOCKET CAP HD SCR
3	4	B18.17018	M6 PLAIN WASHER
4	4	B18.17063	M6 SPRING WASHER
5	1	B20.19254	DRILL BIT HSS EXTRA LONG Ø6.5
6	1	B20.19255	T HANDLE HEX KEY -5MM - 100MM LONG

- NOTES**
- FOR INSTALLATION DETAILS, PLEASE REFER TO INSTALLATION SHEET C64.63986.
  - ALL FASTENERS - STAINLESS STEEL.
  - GUARD PAINT FINISH - POWDER COAT FERRO 95-9905-0 FORMULAR 1 MATT BLACK.


0	19/05/10	MD	ORIGINAL DCC 5144
ISS	DATE	INI	ALTERATIONS



UNIPART RAIL LTD - DORMAN  
WENNINGTON ROAD, SOUTHPORT. PR9 7TN.

THIS DOCUMENT AND THE INFORMATION THEREIN IS CONFIDENTIAL AND MAY NOT BE USED OR DISCLOSED WITHOUT WRITTEN AUTHORIZATION

DRAWING / PART No. 088/026985

PART NUMBER BARCODE		DORMAN REF No. D81.80130	TITLE MSL WIRE GUARD FITTING KIT	PROJECT No. 119
 * 0 8 8 7 0 2 6 9 8 5 *		CUSTOMER REF No.	MATERIAL	TOLERANCES
ALL DIMENSIONS IN MM UNLESS OTHERWISE STATED DO NOT SCALE		3RD ANGLE PROJ	X X,0 X,00 X,000 ANGULAR	+ / - 0,25 0,10 0,05 0,025 0,25
			DRAWN M DURHAM CHECKED IW AUTH. BW DATE 19/05/10 SCALE NTS SHEET 1 OF 1 SHEETS	