

# Wayside Signal

by Unipart Dorman

Modernize your Wayside Signal assets with an LED Signal, backed by an unrivaled industry track record.



## SearchLITE Signal



## Way Ahead in Signaling

Patent Pending. Covered by U.S. Patent Publication No. US 2019-0077428

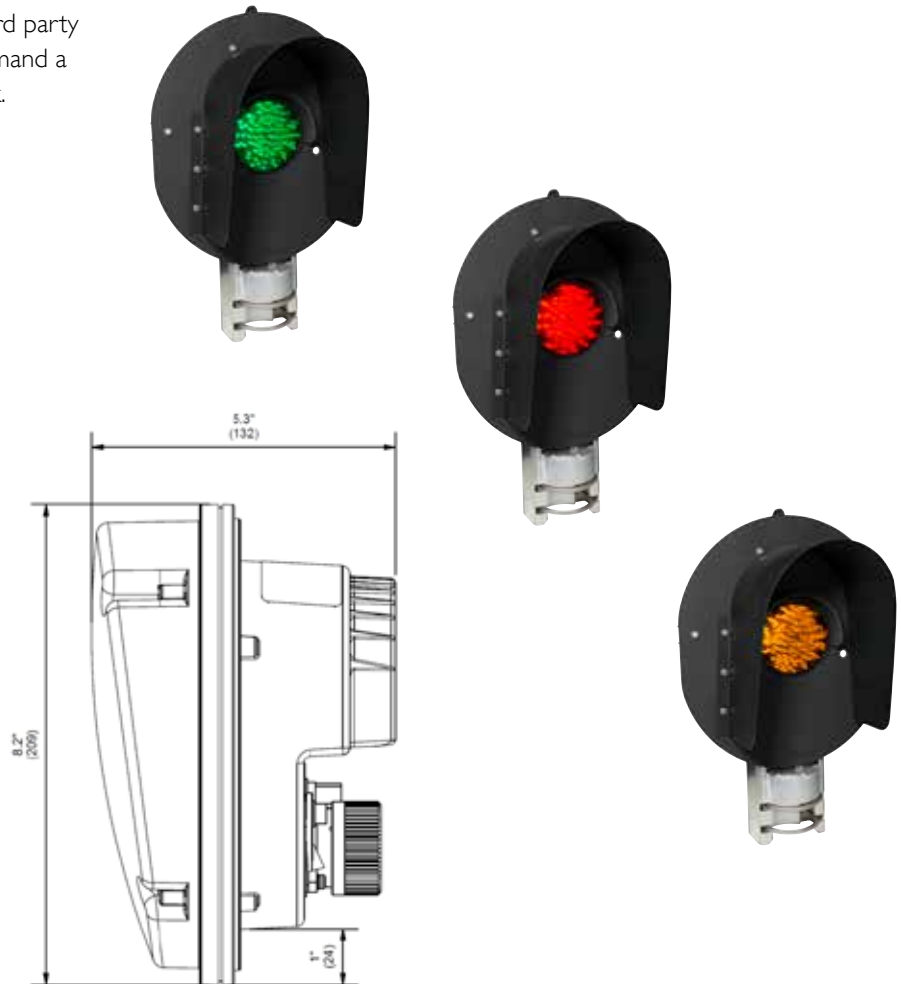
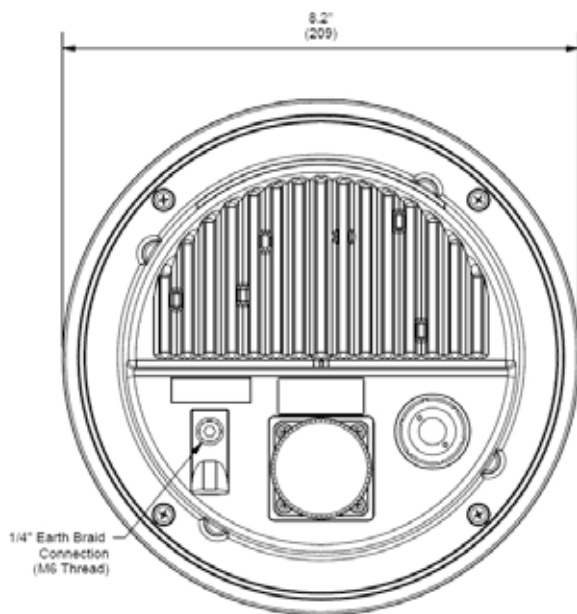
INTELLIGENT ENGINEERING, UNIQUE PEOPLE, WORKING TOGETHER

## Best in Class

Unipart Dorman's Wayside - SearchLITE signal series have been developed with close industry collaboration to provide a unique solution. The LED light sources deliver innovation with universal value, provide a long and predictable life, giving huge benefits to railroad operators.

The reliability of the Wayside series is based upon design excellence developed over 30 years of supplying LED Signals into the UK railway sector where Unipart Dorman have installed over 100,000 signals, delivered unprecedented reliability with over 40 million fault free operational hours, achieved measurable operating field life performance of 13yrs+ (and still going strong), attained a 3rd party certified zero maintenance LED signaling solution, and command a 95% market share of every LED signal type on the network.

- Unipart Dorman track record incorporated into AREMA compliant design
- Slim Profile Retrofits into all existing signal housings, exact same foot print as ColorLITE
- AREMA+ thermal shock tested to replicate and exceed real field temperature extreme variations
- Multiple Interlocking compatibility, cold and hot proving with patented 5/16 light out technology
- Cost Reduction in current Asset Operation and Maintenance through enhanced reliability over extended life



## Technical Data

Technical Data	Compliance
Nominal supply voltage	12VDC or AC
Supply voltage range	8.0-16.0V
Nominal current @ 12v	Greater than 1100mA
Storage temperature	-67°F to +185°F / -55°C to +85°C
Operating temperature	-40°F to +158°F / -40°C to +70°C
Vibration	AREMA 11.5.1 D4 Class B
Shock	AREMA 11.5.1 D5 Class B
Ingress	NEMA 250-1991 Enclosure 4 - EN60529 IP65
EMI	AREMA 11.5.1 D6
Dielectric strength	AREMA 11.5.1 D7 Class B
Colours	AREMA 7.1.10
Luminous intensity Long Range (5000ft)	LED Signal Module Purchase Specification
Luminous intensity Medium Range (2000ft)	LED Signal Module Purchase Specification
Hot Filament Test	AREMA 7.1.5 B1
Cold Filament Test	AREMA 7.1.5 B2
Light Out Detection	AREMA 7.1.5 B3
Outer Lens Construction	High Impact Polycarbonate front cover with external UV resistant hard coating to reduce scratching during cleaning operations
Rear Housing Construction	Aluminum casting incorporating heatsink, pressure vent and sealed connections, allowing for greater internal environmental control, which in turn prolongs the operational life of signal
Dimensions	Dia 8.2" (209mm) Depth 5.3" (132mm)
Weight	4.5lbs/2kg
Electrical Interface	Mil 5015 standard plug coupler 8"/200mm earth bonding strap with 5/16"/M8 ring tab.



## Operation

The Wayside - SearchLITE Series are fully compliant with AREMA C&S requirements and have been mechanically fit tested to a wide variety of incumbent Colorlight and Searchlight signal housings.

The Wayside - SearchLITE series is equipped with a Mil 5015 standard plug coupler to allow plug and play connection with local AAR terminals in the head. *(Please note: plug and lead supplied in various lengths as separate accessory)*

The Wayside -SearchLITE Series are designed to be compatible with all interlocking controllers and does not require any software or circuit design modification to install.

The units are capable of interfacing to systems that have both Hot and Cold Filament Tests and also Light Out detection.

The unit has been successfully tested already on the following 12v interlocking systems:

- AC Relay
- AC Relay with DC bias
- EC4
- iLOK
- MicroLOK 2
- VHLC
- ElectrologIXS
- GEO

Please refer to user guide for full installation instructions.

## Model / Product coding

Wayside Series	Module Options	Long Range UD Part No	Medium Range UD Part No
SearchLITE	Tri-Colour RYG, 12v, Pulse Proved, Standard outer cover, Plug Coupled Connection	WSSL/RYG/3PI/AP	WSSM/RYG/3PI/AP

Patent Pending. Covered by U.S. Patent Publication No. US 2019-0077428

## About Unipart

The Unipart Group is a leading UK manufacturer, full service logistics provider and consultant in operational excellence. Operating across a range of market sectors, including automotive, manufacturing, mobile telecoms, rail, retail and technology, Unipart offers a breadth of services to a wide range of blue chip clients internationally.

## Contact us:



Wennington Road  
Southport  
Merseyside  
PR9 7TN  
UK  
T: +44 (0) 1704 518000  
E: [dorman.enquiries@unipartdorman.co.uk](mailto:dorman.enquiries@unipartdorman.co.uk)



173 Main Street  
Bath  
Ontario  
K0H 1G0  
Canada  
T: +1 (0) 61 335 23 458  
E: [dorman.enquiries@unipartdorman.com](mailto:dorman.enquiries@unipartdorman.com)



111-113 Newton Road  
Wetherill Park  
NSW 2164  
Australia  
T: +61 (0) 2 87875910  
E: [enquiries@unipartrail.com.au](mailto:enquiries@unipartrail.com.au)

### Unipart Dorman

173 Main Street, Bath  
Ontario, K0H 1G0  
Canada  
T: +1 (0) 61 335 23 458  
email: [dorman.enquiries@unipartdorman.com](mailto:dorman.enquiries@unipartdorman.com)

[www.unipartdorman.com](http://www.unipartdorman.com)