

Trackside Signals



Unipart Dorman's LED Signaling Range:

With over 25 years of experience in LED Rail Signaling, Unipart Dorman has a complete range of Network Rail approved LED signals that are backwards compatible with the existing systems on the UK infrastructure.

This comprehensive range covers nearly 500 approved items to date and Unipart Dorman has in excess of 60,000 signals now installed across the network. Where Unipart Dorman LED signals have been installed, failures and delays associated with the signal heads have been virtually eliminated.

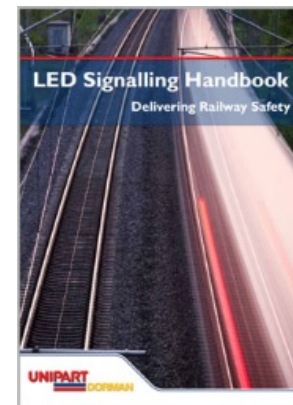
Unipart Dorman, Design & Manufacturing Capabilities:

Unipart Dorman's engineering heritage goes back over 130 years. The innovation and design-led business philosophy revolves around listening closely to customers and ensuring product development is always focused on their requirements. Unipart Dorman is a leading light in rail with extensive product ranges available throughout the UK and in more than 30 countries across five continents.

Unipart Dorman has been at the forefront of LED technology since the 1980's. LED lighting offers unrivalled safety and economic benefits when compared to filament bulbs and the company's technological leadership has resulted in several industry 'firsts', including ConeLITE, the industry-standard warning lamp for road hazards, and the Unipart Dorman Position Light Signal, introduced in 200 and the first LED signal for controlling train movements fully approved by Network Rail to Railway Group Standards.

Unipart Dorman product and specifications subject to change and/or modification without prior notice.

The Trackside Signal Range is just part of the wider portfolio of Unipart Dorman products which cover every part of the railway.



The LED Handbook contains full details of all the rail products. Contact us to receive your copy, or visit uniparttrail.com/ledhandbook for the PDF version

Contact Details:

Unipart Dorman's range is distributed through Unipart Rail:

Unipart Rail
Gresty Road
Crewe
Cheshire
CW2 6EH

Tel: +44 (0)1270 847600

E-Mail:

dorman.info@unipartdorman.co.uk

www.unipartdorman.co.uk



LED Semaphore Signal





The Unipart Dorman LED Semaphore Signals are a fully Network Rail approved, cost effective direct replacement unit suitable for any installation with no requirement for on site design changes.

- Fully Network Rail approved solutions that can be applied to any Semaphore Signal
- LED light sources give a long and predictable service life
- Replacing paraffin burning lamps eradicates the need to store and transport hazardous substances and reduces the signal's carbon footprint from extremely high levels to virtually zero
- Constant light output maintained throughout the life of the signal
- The light units and Battery Box have an IP54 protection rating
- Unaffected by variations in supply voltage
- Increased infrastructure reliability and staff safety
- Contributes to a cleaner environment

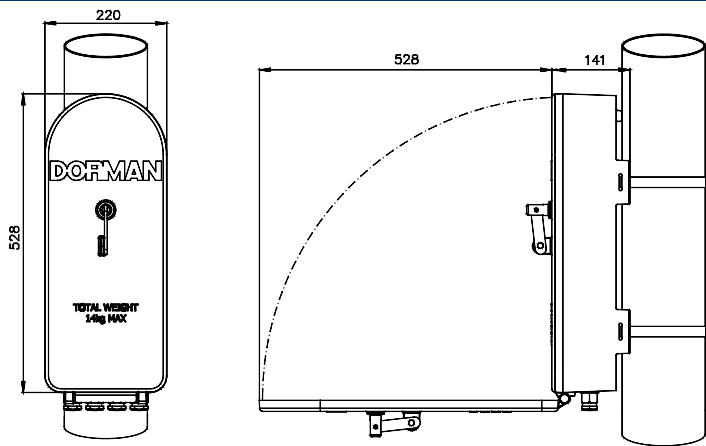


LED Semaphore Signals

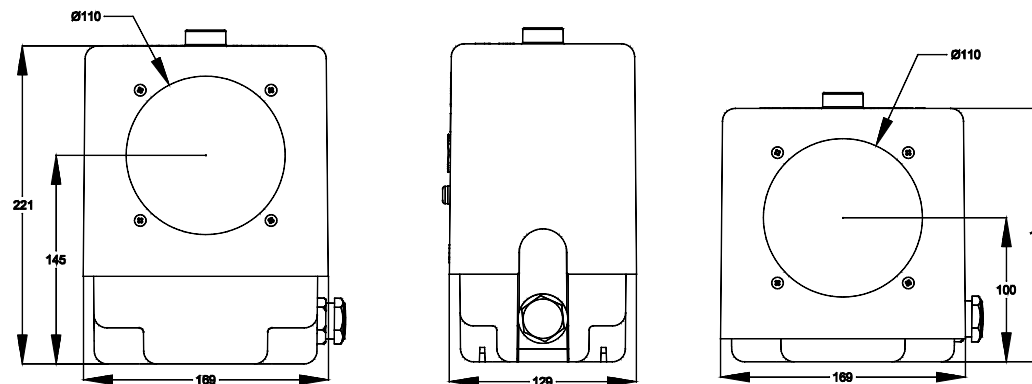
Product Details

Universal Semaphore Lamp (USL)	Specifications	Battery Box
<ul style="list-style-type: none"> High impact polycarbonate body & lens construction Variable height facility Rear view lens for optical proving High and low intensity version Self contained version for ground disc signals Eradicates the handling of hazardous substances 	 <ul style="list-style-type: none"> Both the Universal and LED upgrade lamps incorporate electrical and optical lamp proving systems All maintenance on Semaphore lighting systems is carried out from ground level increasing maintenance staff safety The operating voltage range is between 18Vdc (max) and 4Vdc (min), with the nominal current at 35mA and the proving voltage 30V max/2V min 	<ul style="list-style-type: none"> All LED units can be powered from existing infrastructure or by utilising the Unipart Dorman Semaphore Battery Box The Battery Box can be used to power two signals for up to three months usage before battery replacement is required Constructed from cast aluminum for resistance to vandalism and simple to install 

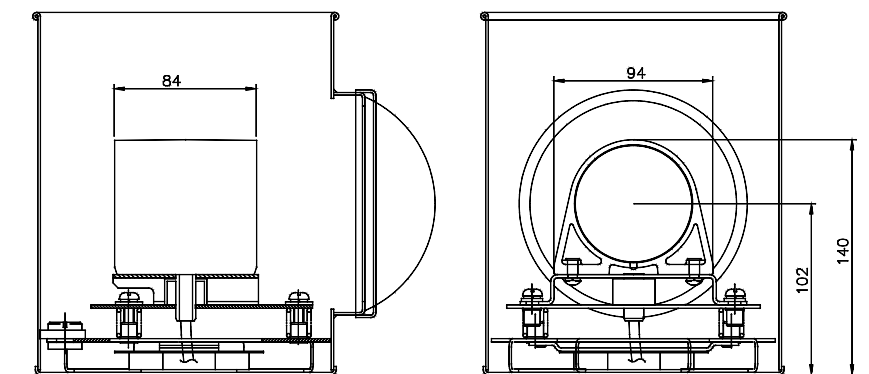
Battery Box for elevated locations



Every USL supplied with tall and short base as standard to give universal fitting



Retrofit unit to locate in existing housing



Network Rail Product Acceptance No:	
PA05/03335 Universal Lamp	
PA05/03100 Battery Box	
PA05/02786 LED Lamp and Bracket (Internal Module Assemblies)	
PADS No:	
Lamp (Elevated, External Supply, Low Intensity)	0086/009195
Lamp (Elevated, External Supply, High Intensity)	0086/009196
Lamp (Ground Mounted, Internal Batteries, Low Intensity)	0086/009197
Lamp (Ground Mounted, External Supply, Low Intensity)	0086/009198
LED Semaphore Lamp assembly complete with mounting plates to suit:-	
Pre-1982 WR/GWR 8" Round Case	0086/009860
Post-1982 WR 8" Round Case with Adlake Lens	0086/009861
'Adlake' 55/13 Square Case	0086/009863
LED Lamp Assembly (excl mounting plate)	0086/009194
Battery Box	0086/009190
DAAB50 Air Alkaline Battery	0054/128366

PADS No.	Unipart Dorman Part No.	Colour	Size (mm) Thickness=3mm	Circle /Oval	BR Drawing No.	Description (All Spectacle Filters have a Peerless Hard Coat applied as standard)
0086/009026	B79.78017	Red	229 x Ø171	Oval	BRS-SM 28/1	Polycarbonate Spectacle for U.Q. Signal. Main
0086/009027	B79.78018	Yellow	229 x Ø171	Oval	BRS-SM 28/2	Polycarbonate Spectacle for U.Q. Signal. Main
0086/009028	B79.78019	Green	Ø222	Circle	BRS-SM 28/3	Polycarbonate Spectacle for U.Q. Signal. Main (Also fits L.Q. BR-WRGW170 pattern)
0086/009029	B79.78020	Red	205 x Ø124	Oval	BRS-SM 28/4	Polycarbonate Spectacle for U.Q. Signal. Miniature
0086/009030	B79.78021	Yellow	205 x Ø124	Oval	BRS-SM 28/5	Polycarbonate Spectacle for U.Q. Signal. Miniature
0086/009031	B79.78022	Green	Ø162	Circle	BRS-SM 28/6	Polycarbonate Spectacle for U.Q. Signal. Miniature
0086/009032	B79.78025	Red	Ø174.62	Circle	BR-WR WR170	Polycarbonate Spectacle (Ø6 7/8")
0086/009033	B79.78029	Yellow	Ø175	Circle	BR-WR WR170	Polycarbonate Spectacle (Ø6 7/8")
0086/009034	B79.78027	Red	Ø55.6	Circle		Polycarbonate Spectacle (Ø2 3/16")
0086/009035	B79.78026	Yellow	Ø63.5	Circle		Polycarbonate Spectacle (Ø2 1/2")
0086/009036	B79.78024	Red	Ø63.5	Circle		Polycarbonate Spectacle (Ø2 1/2")
0086/009037	B79.78031	Red				Polycarbonate Spectacle (User specified dimensions). Filter lenses to be used in conjunction with the universal LED light source
0086/009038	B79.78032	Yellow				Polycarbonate Spectacle (User specified dimensions). Filter lenses to be used in conjunction with the universal LED light source
0086/009039	B79.78033	Green				Polycarbonate Spectacle (User specified dimensions). Filter lenses to be used in conjunction with the universal LED light source