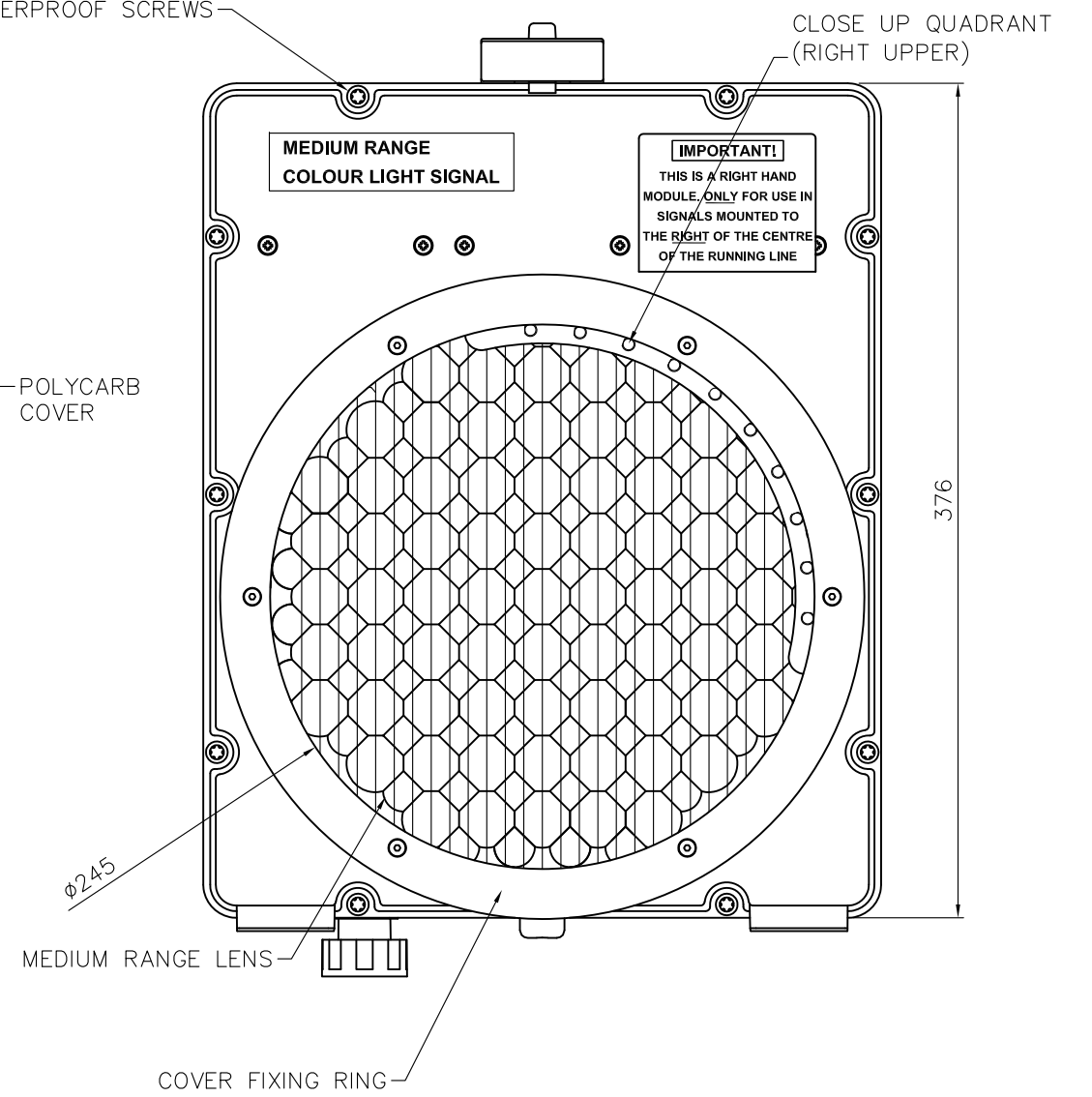
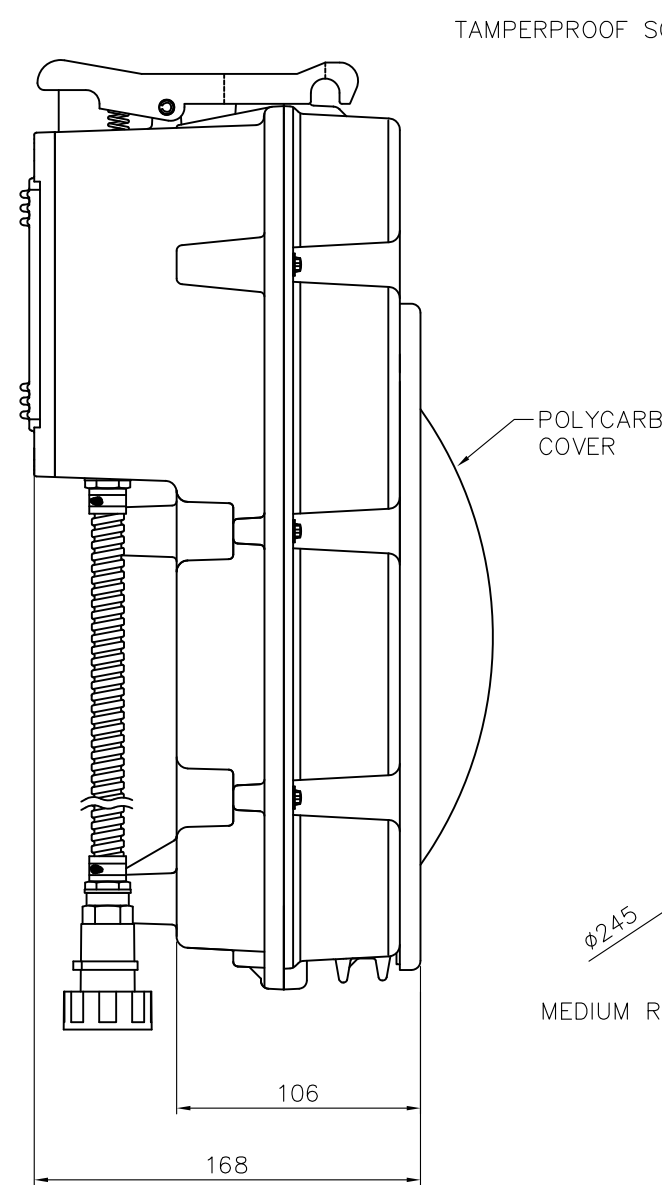
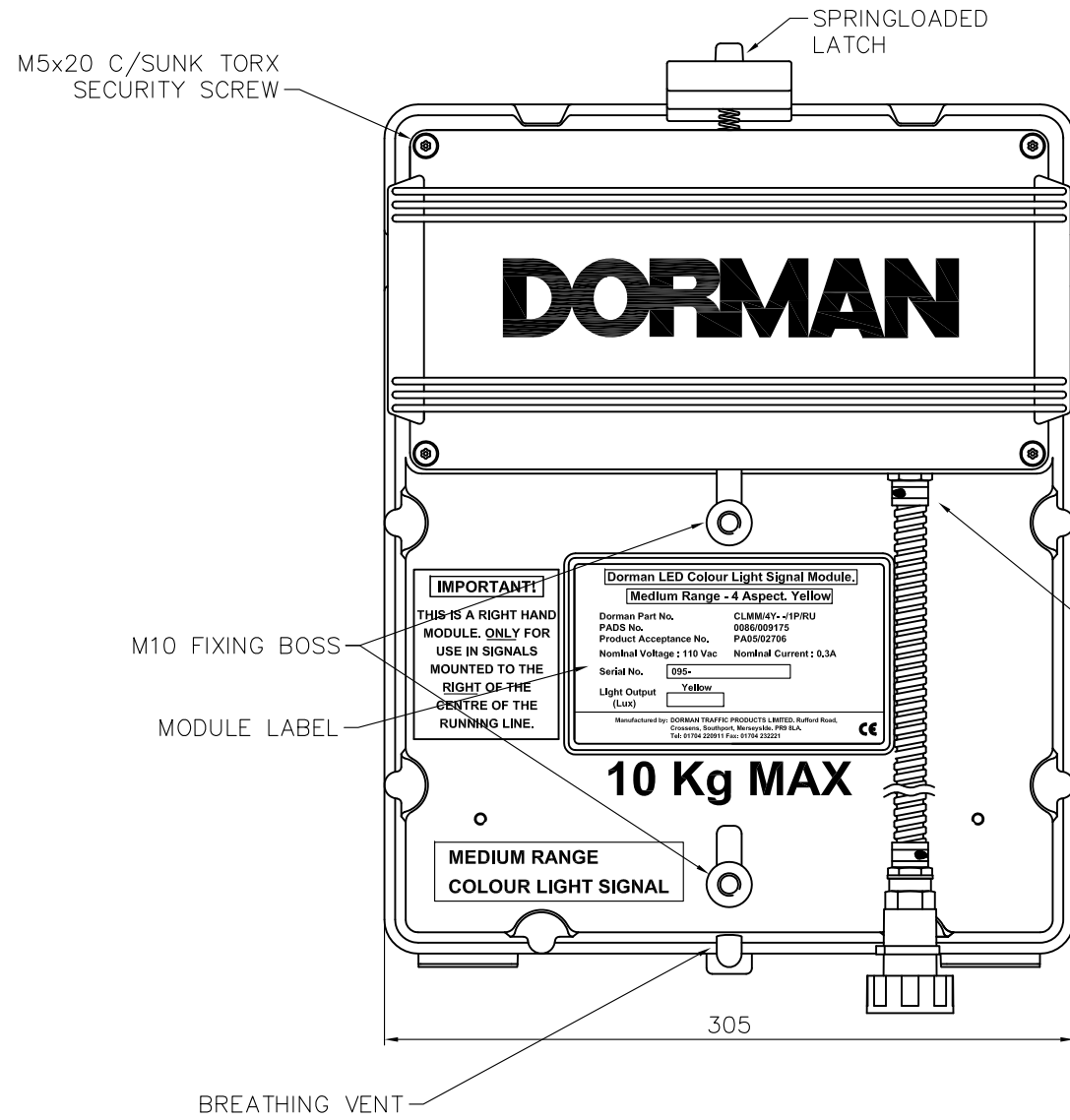


Uncontrolled When Printed



NOTES: -
 ALL ALUMINIUM COMPONENTS PAINTED ALL OVER WITH ONE COAT OF TRANSPED TWO PACK ETCH PRIMER 101 FOLLOWED BY:
 ONE COAT OF LIGHT GREY MICACEOUS IRON OXIDE BR SPEC No.70 ITEM 27A.

ALL HARDWARE - STAINLESS STEEL
 ASSEMBLED MODULE MASS - 10Kg.



ALL DIMENSIONS IN mm UNLESS OTHERWISE STATED

DORMAN REF No. CLMM/4Y--/1P/RU

CUSTOMER REF No.

MEDIUM RANGE LED COLOUR LIGHT SIGNAL

TITLE SPACE ENVELOPE/MECHANICAL INTERFACE DRAWING
 CLS MODULE ASSEMBLY - 4 ASPECT YELLOW (RU)

THIRD ANGLE PROJ

Document N° 0101-3311-1

MATERIAL	TOLERANCES
X	+ / - 0,25
X,0	+ / - 0,10
X,00	+ / - 0,05
X,000	+ / - 0,025
ANGULAR	+ / - 0,25°

DRAWN	M DURHAM
APPROVED	L GREEN
DATE	21/11/2005
SCALE	NTS
SHEET	1 OF 1 SHEETS

0	21/11/05	MD	DCC No. 2964
ISS	DATE	INI	ALTERATIONS
DORMAN			
DORMAN TRAFFIC PRODUCTS LTD SOUTHPORT PR9 8LA ENGLAND			
DRAWING No PART No.			ISSUE
0086/009175			0

DO NOT SCALE

ORIGINAL DRAWING FRAME A1 DO NOT SCALE