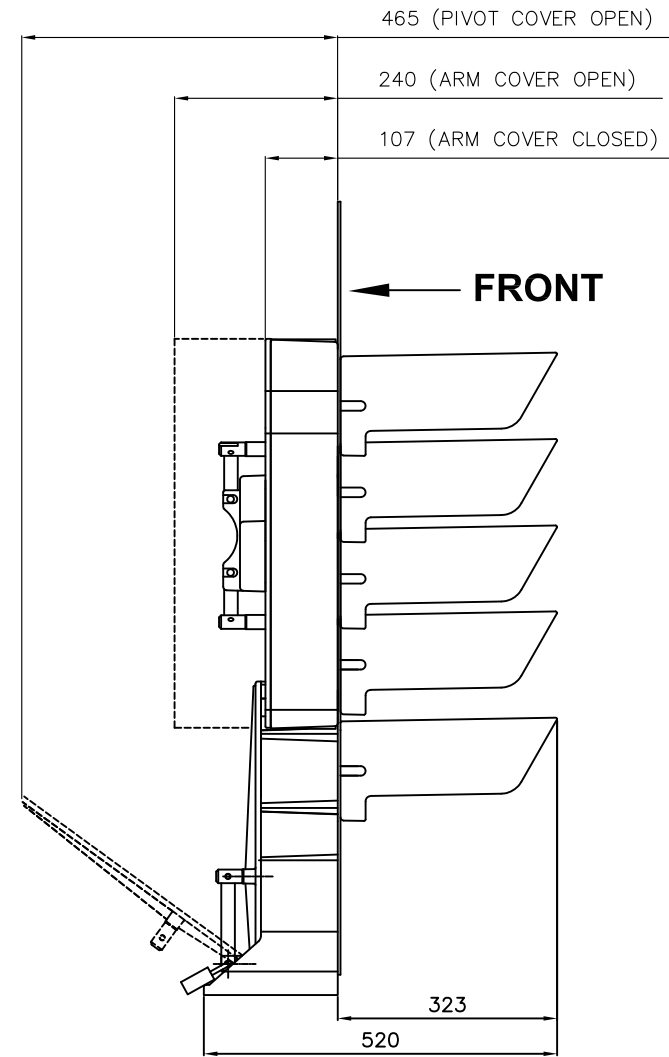
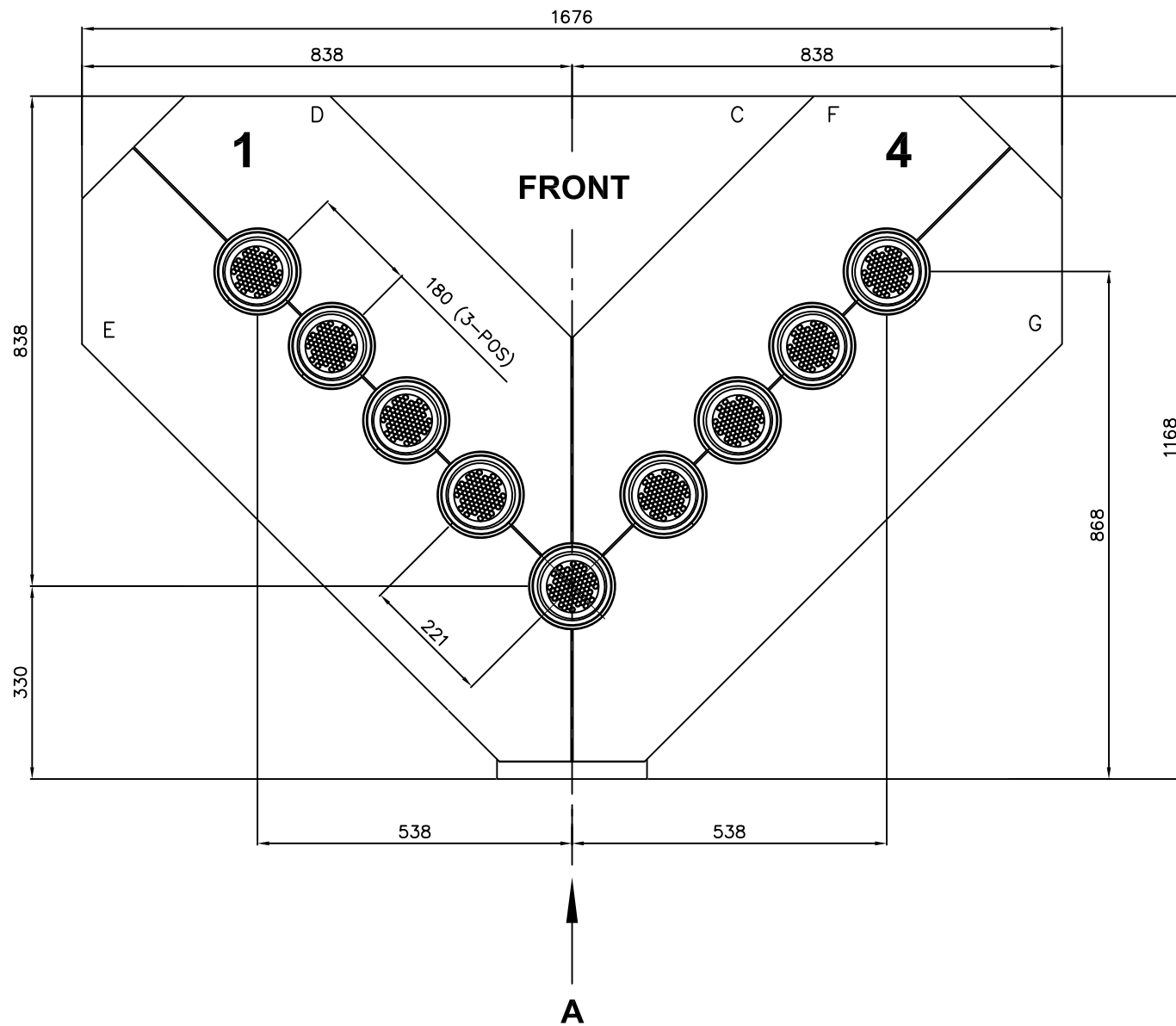
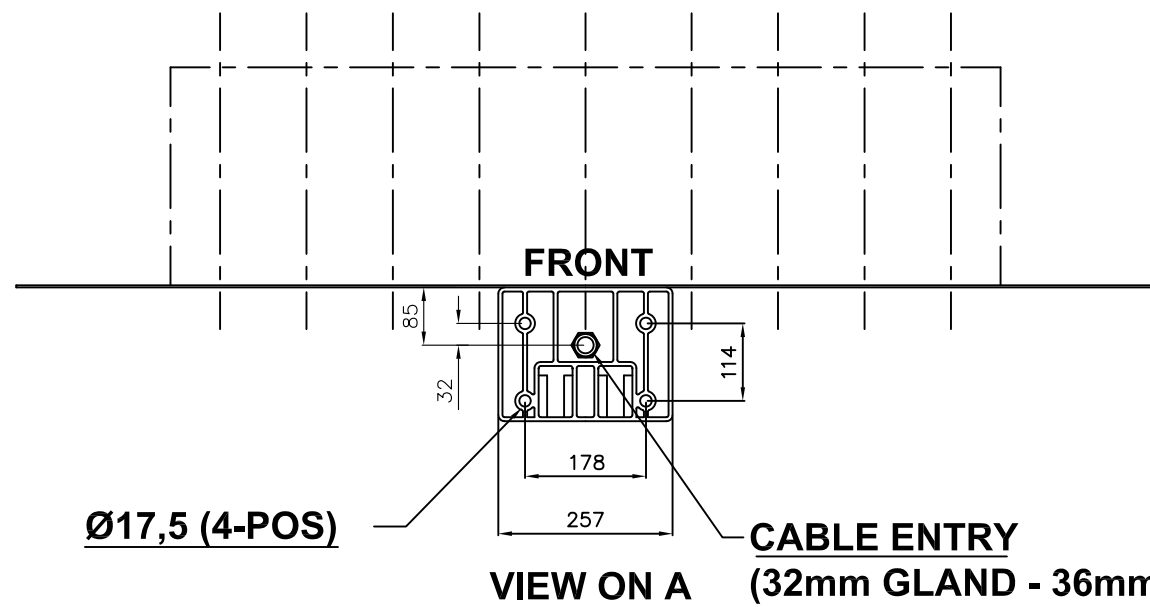


Uncontrolled When Printed



WEIGHT 67KG



1	03/10/12	CM	SEE DCC6242
0	26/03/07	MD	DCC No. 3564
ISS	DATE	INI	ALTERATIONS

DORMAN

SOUTHPORT ENGLAND

THIS DOCUMENT AND THE INFORMATION THEREIN IS CONFIDENTIAL AND MAY NOT BE USED OR DISCLOSED WITHOUT WRITTEN AUTHORIZATION

DRAWING No PART No. 0086/021005

SPACE ENVELOPE/MECHANICAL INTERFACE DRAWING		PROJECT No. 104
TITLE JUNCTION INDICATOR POS 1+4		THIRD ANGLE PROJ
MATERIAL		Document N°
TOLERANCES		DRAWN MD
X	+ / -	0,25
X,0	+ / -	0,10
X,00	+ / -	0,05
X,000	+ / -	0,025
ANGULAR	+ / -	0,25°
CHECKED IW AUTH. IW		DATE 26/03/2007
SCALE NTS		SHEET 1 OF 1 SHEETS

DORMAN REF No. PLJIS/1--4--/PO

CUSTOMER REF No.

DO NOT SCALE