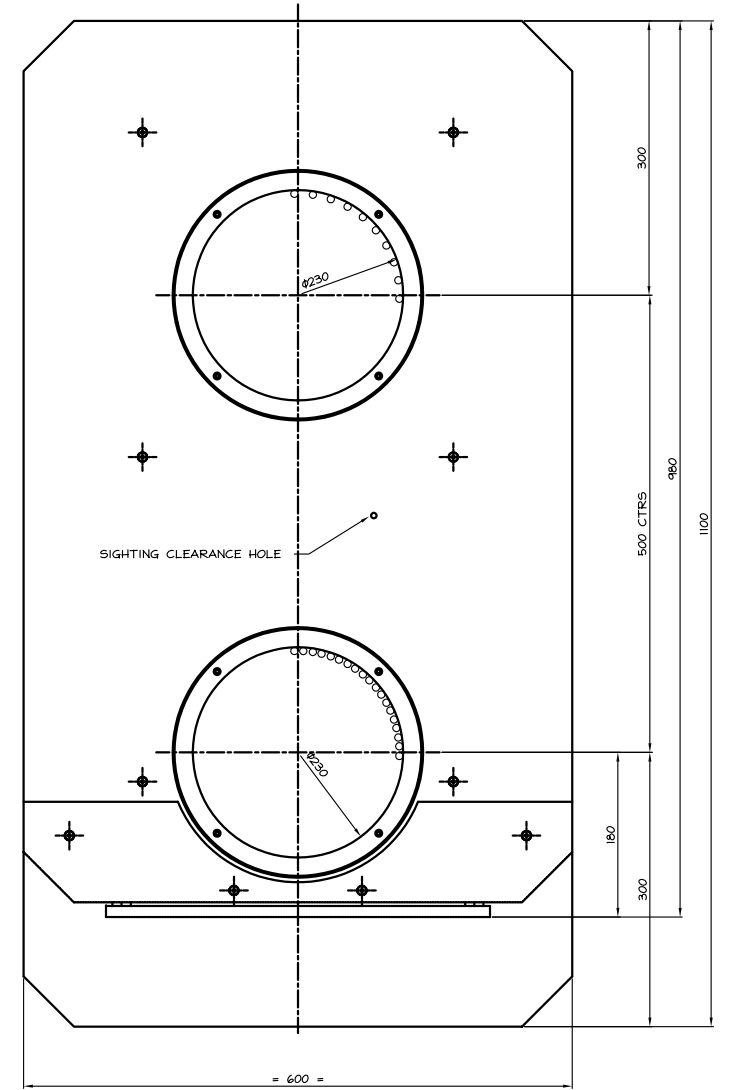
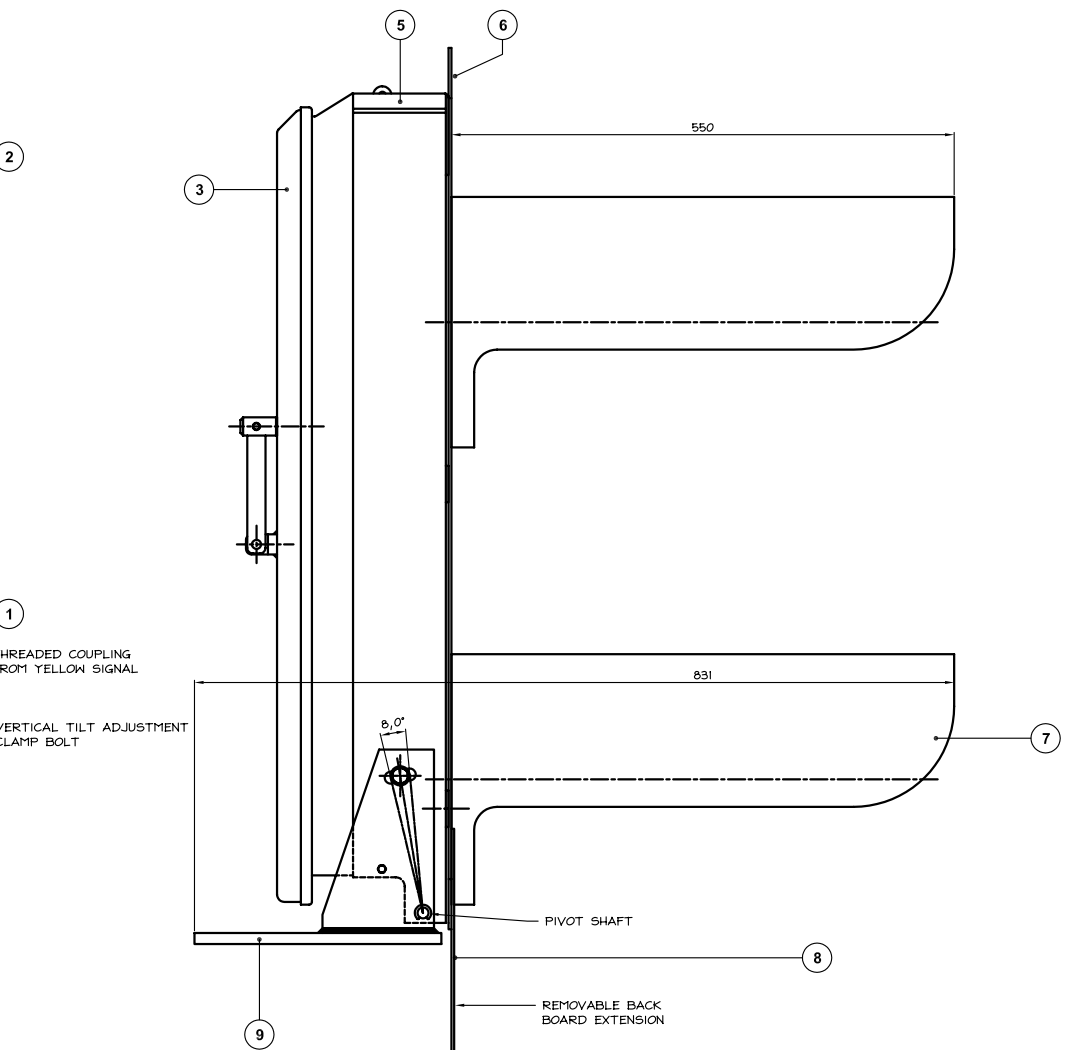
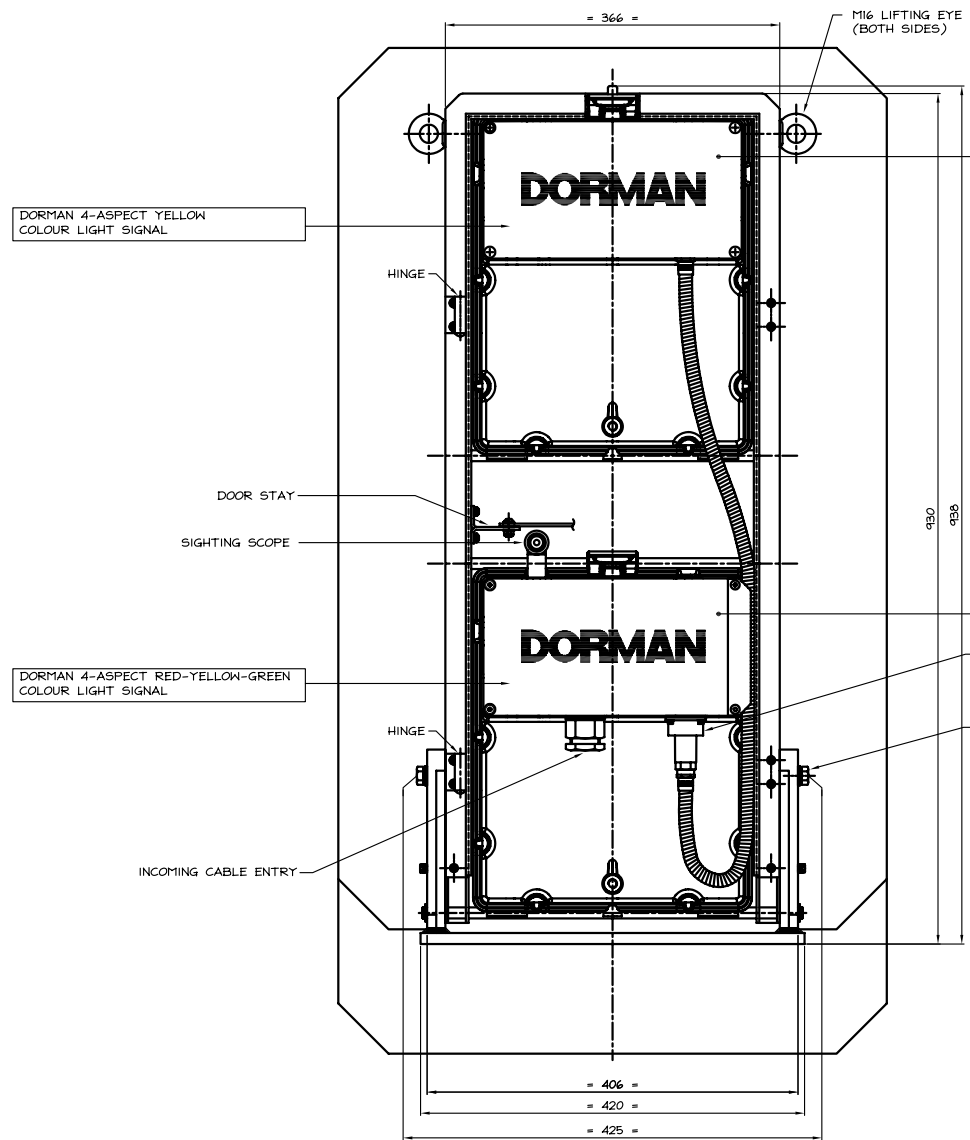
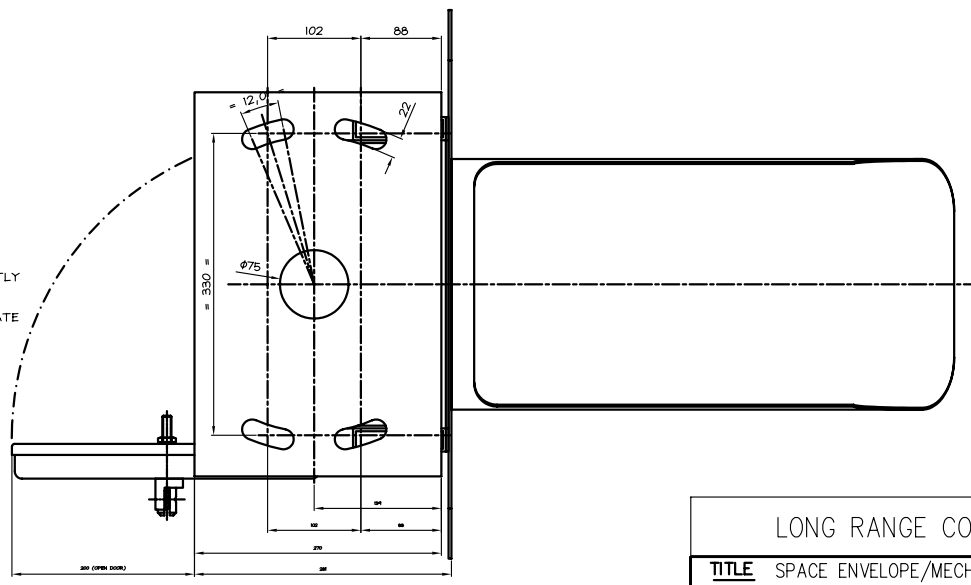


Uncontrolled When Printed

ITEM	QTY	PART N°	MATERIAL	DESCRIPTION
1	1	0086/009204	CAST ALUMINIUM ENCLOSURE	DORMAN 4-ASPECT RED-YELLOW-GREEN COLOUR LIGHT SIGNAL, REF. NO. CLSM/4RYG/1P/RU
2	1	0086/009205	CAST ALUMINIUM ENCLOSURE	DORMAN 4-ASPECT YELLOW COLOUR LIGHT SIGNAL, REF. NO. CLSM/4Y---/1P/RU
3	1	B20.19109	ALUMINIUM	DOOR
4				
5	1	B20.19102	ALUMINIUM FABRICATION	2-LENS, 4-ASPECT FRAME
6	1	B20.19108	ALUMINIUM	BACK BOARD
7	2	B86.85014	ALUMINIUM	EXTENDED VISOR
8	1	B20.19123	ALUMINIUM	BACK BOARD EXTENSION
9	1	B20.19124	ALUMINIUM FABRICATION	MOUNTING PLATE
1	1	0086/009220		FRAME ASSEMBLY (FOR REFERENCE ONLY) DORMAN REF. NO. D86.85004



VIEW ON REAR OF SIGNAL WITH BACK COVER REMOVED



- NOTES:-
- ALL ALUMINIUM COMPONENTS PAINTED ALL OVER WITH: ONE COAT OF TRANSPED TWO PACK ETCH PRIMER 101 FOLLOWED BY: ONE COAT OF BLACK MICACEOUS IRON OXIDE. BR SPEC No. 70 ITEM 30. (FORWARD FACING PARTS) ONE COAT OF LIGHT GREY MICACEOUS IRON OXIDE. BR SPEC No. 70 ITEM 27A. (REAR FACING PARTS)
 - WIRING DIAGRAM AND A DOCUMENT WALLET ATTACHED TO INTERNAL FACE OF THE BACK COVER.
 - HORIZONTAL ADJUSTMENT ~ ±6°, VERTICAL ADJUSTMENT ~ ±4°
 - ALL FASTENERS ~ STAINLESS STEEL.
 - RKB221 BRASS PADLOCK, PADS No.0086/029003 IS NOT SUPPLIED WITH THIS ASSEMBLY.

TOTAL ASSEMBLED SIGNAL MASS ~ 44Kg.
MAXIMUM MASS OF MODULES - 10Kg.

DO NOT SCALE

DORMAN REF No. CLSE/RYGY/1P/RU

CUSTOMER REF No.

LONG RANGE COLOUR LIGHT SIGNAL	
TITLE	SPACE ENVELOPE/MECHANICAL INTERFACE DRAWING 4 ASPECT, 2 APERTURE CLS - RU (EXTENDED VISOR)
MATERIAL	
TOLERANCES	X + / - 0,25 X,0 + / - 0,10 X,00 + / - 0,05 X,000 + / - 0,025 ANGULAR + / - 0,25°

PROJECT No.	101
THIRD ANGLE PROJ	
Document N°	a101-9820-1
DRAWN	M DURHAM
CHECKED IW	AUTH. IW
DATE	20/02/2008
SCALE	NTS
SHEET	1 OF 1 SHEETS

0	20-02-08	MD	DCC No. 4048
ISS	DATE	INI	ALTERATIONS
DORMAN			
SOUTHPORT PR9 81A ENGLAND			
THIS DOCUMENT AND THE INFORMATION THEREIN IS CONFIDENTIAL AND MAY NOT BE USED OR DISCLOSED WITHOUT WRITTEN AUTHORIZATION			
DRAWING No		PART No.	
0086/109159			