

UNIPART

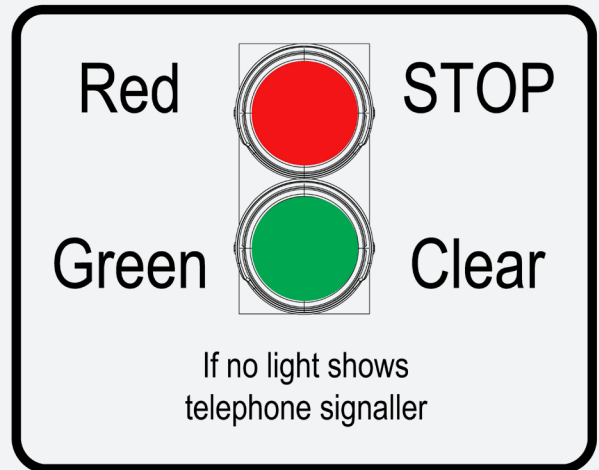
Performance in motion

UNIPART
DORMAN

Miniature
Stop Light



The Unipart Dorman Miniature Stop Light is used at User Worked Crossings on Bridleways and Footpaths that cross the railway.



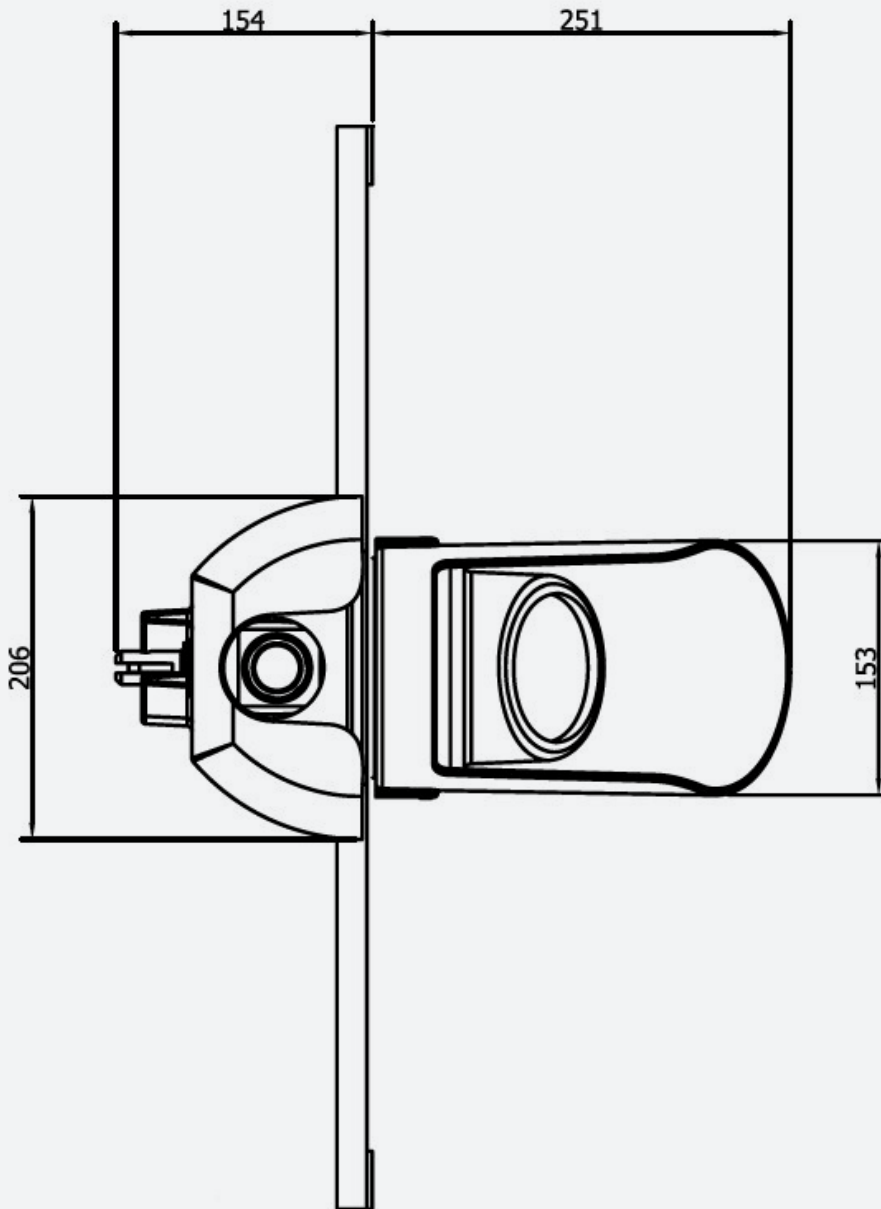
To give pedestrians and vehicle drivers an indication of whether it is safe to cross.

It is designed to mount directly onto a 60.3mm diameter post as shown in BRS-SM-91 (an interface bracket is available to accommodate other post sizes). A retrofittable steel mesh anti-vandal guard can be ordered if required. Bi-lingual English/Welsh versions are available.

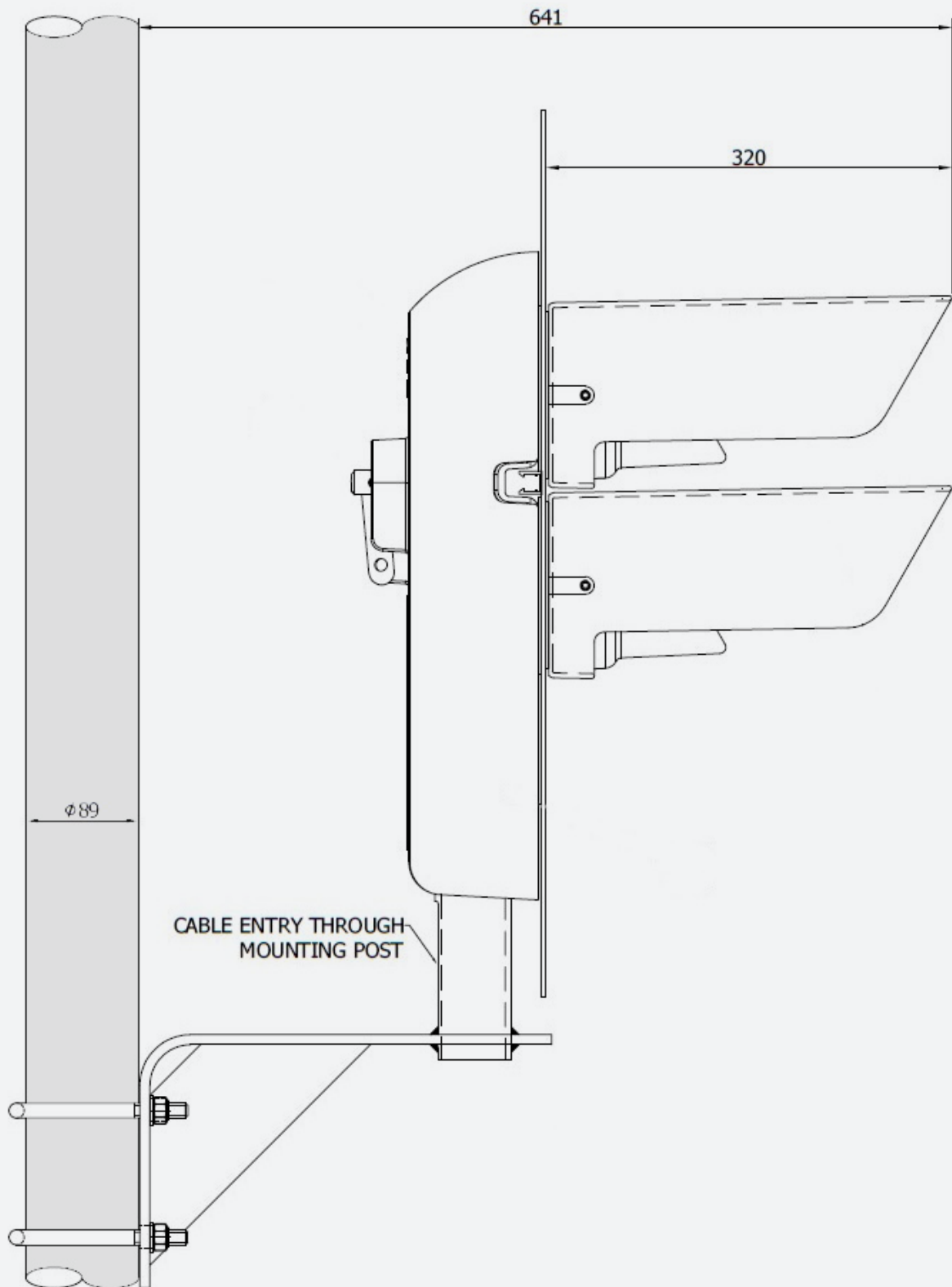
Performance Characteristics

Product Approval Certificate	PA05/02619
Nominal Operating Voltage	110 Vac/120Vdc
Operating Voltage Range	88-121 V 88-145 V
Nominal Operating Current	300 mA
Electrical Connector Type	Free Wired to 2BA Terminal Bar
Ingress Protection Rating	IP 65
Operating Temperature Range	-25°C to +40°C
Readability	100m
Viewable Angle	+/- 45° at 100m
Product Weight	Signal 17Kg Module only - 1.6Kg Interface Bracket 10Kg
For product instructions and dimensioned drawings please visit:	www.unipartdorman.co.uk

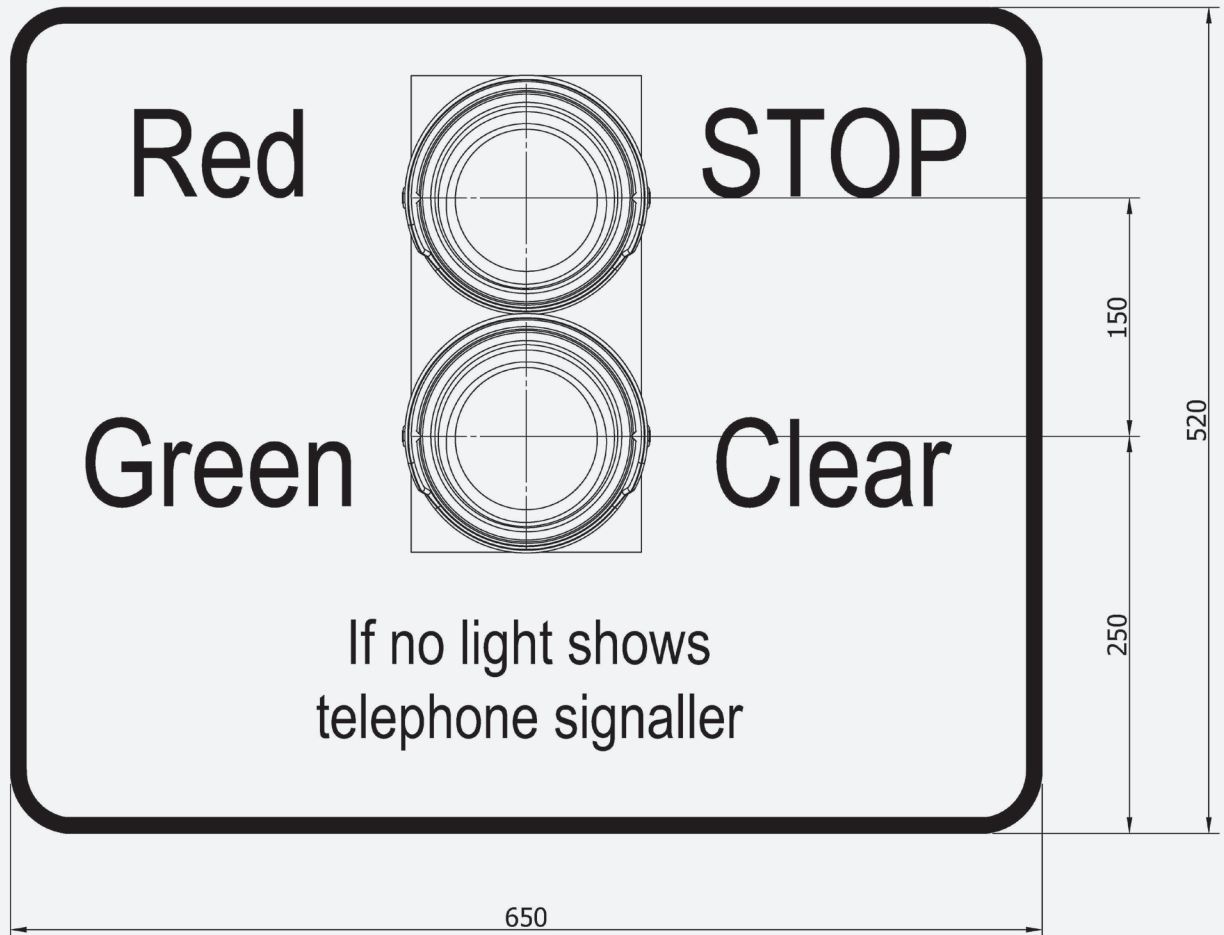
Product Configuration



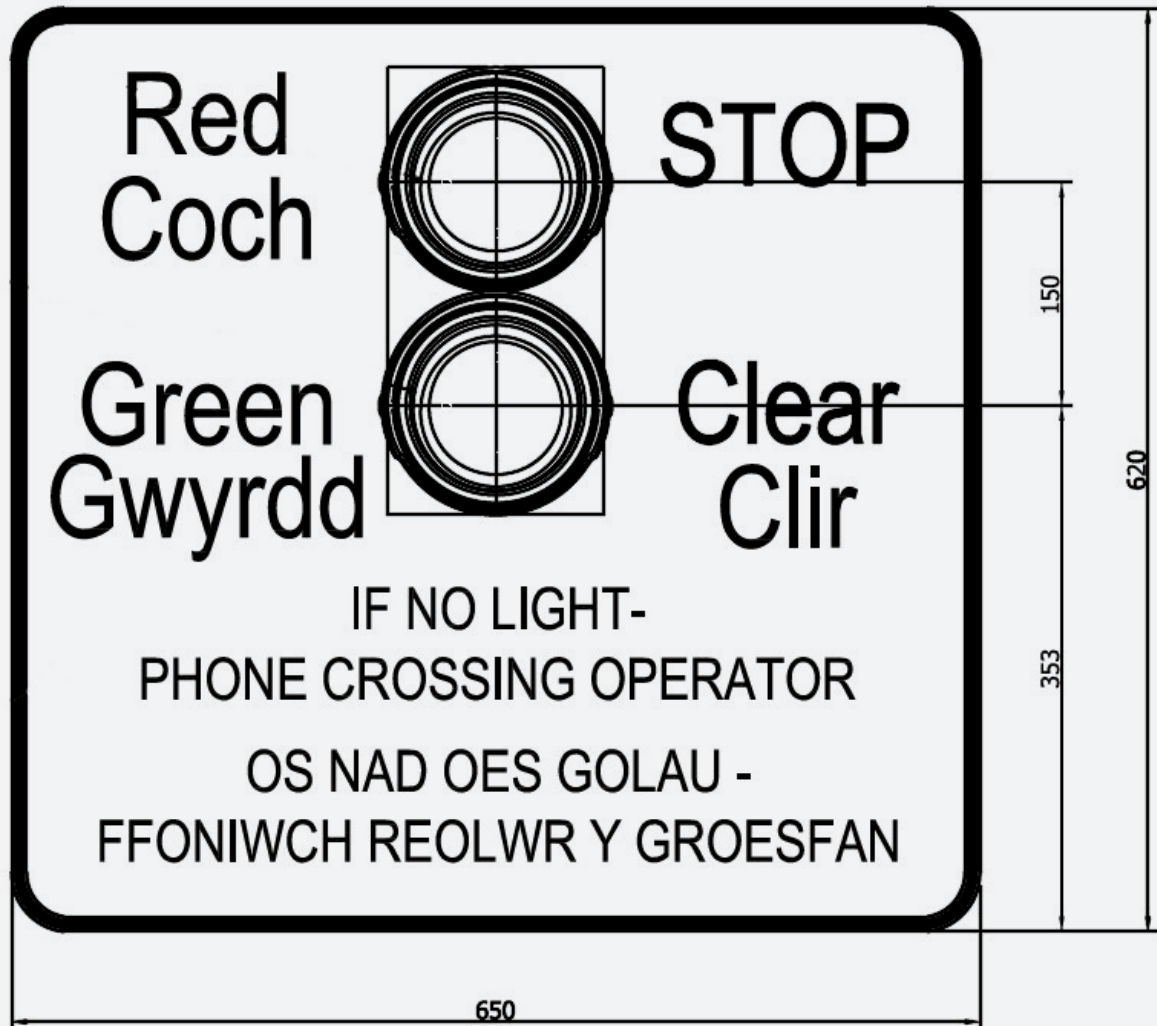
Product Configuration



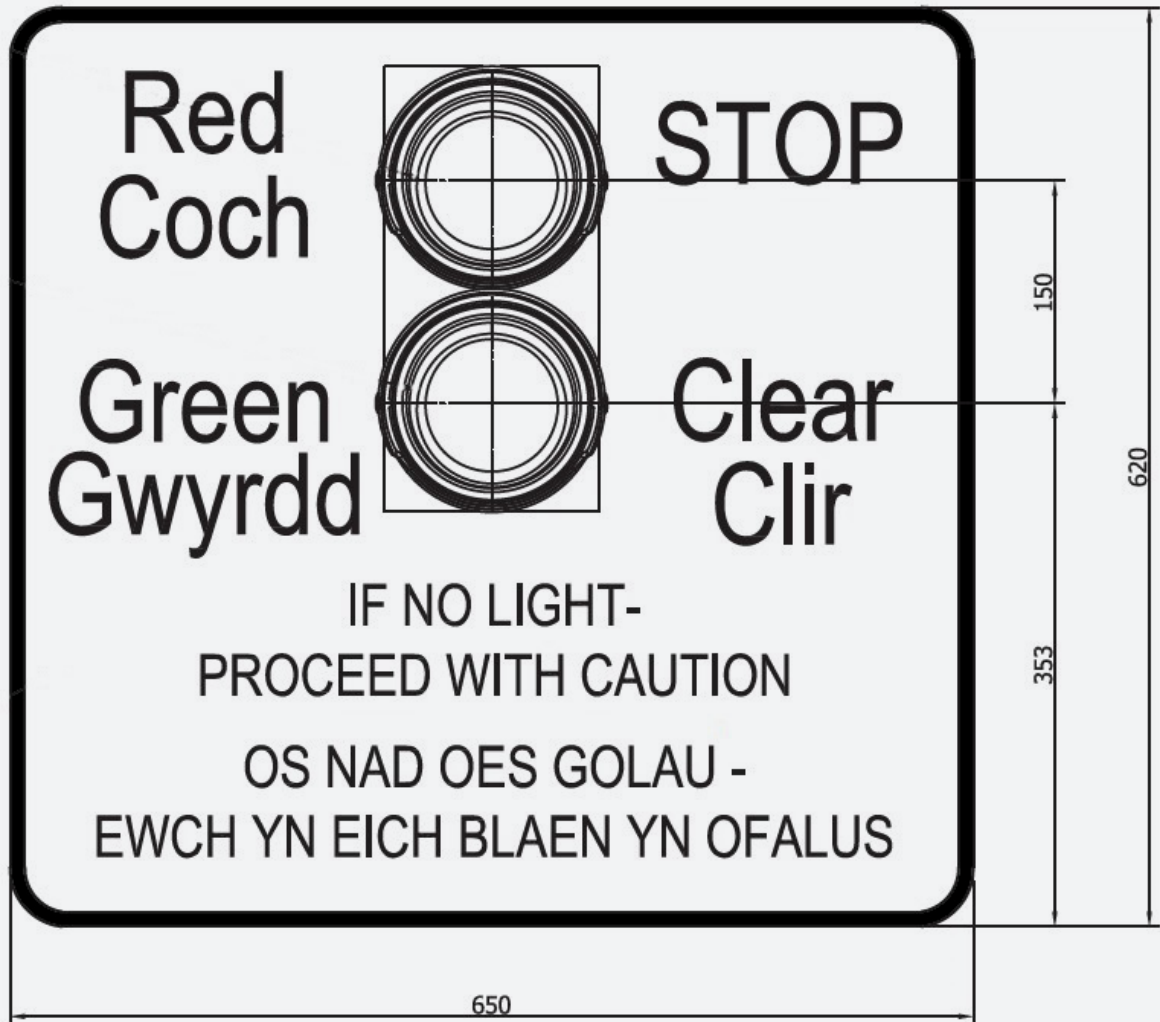
Product Configuration



Product Configuration

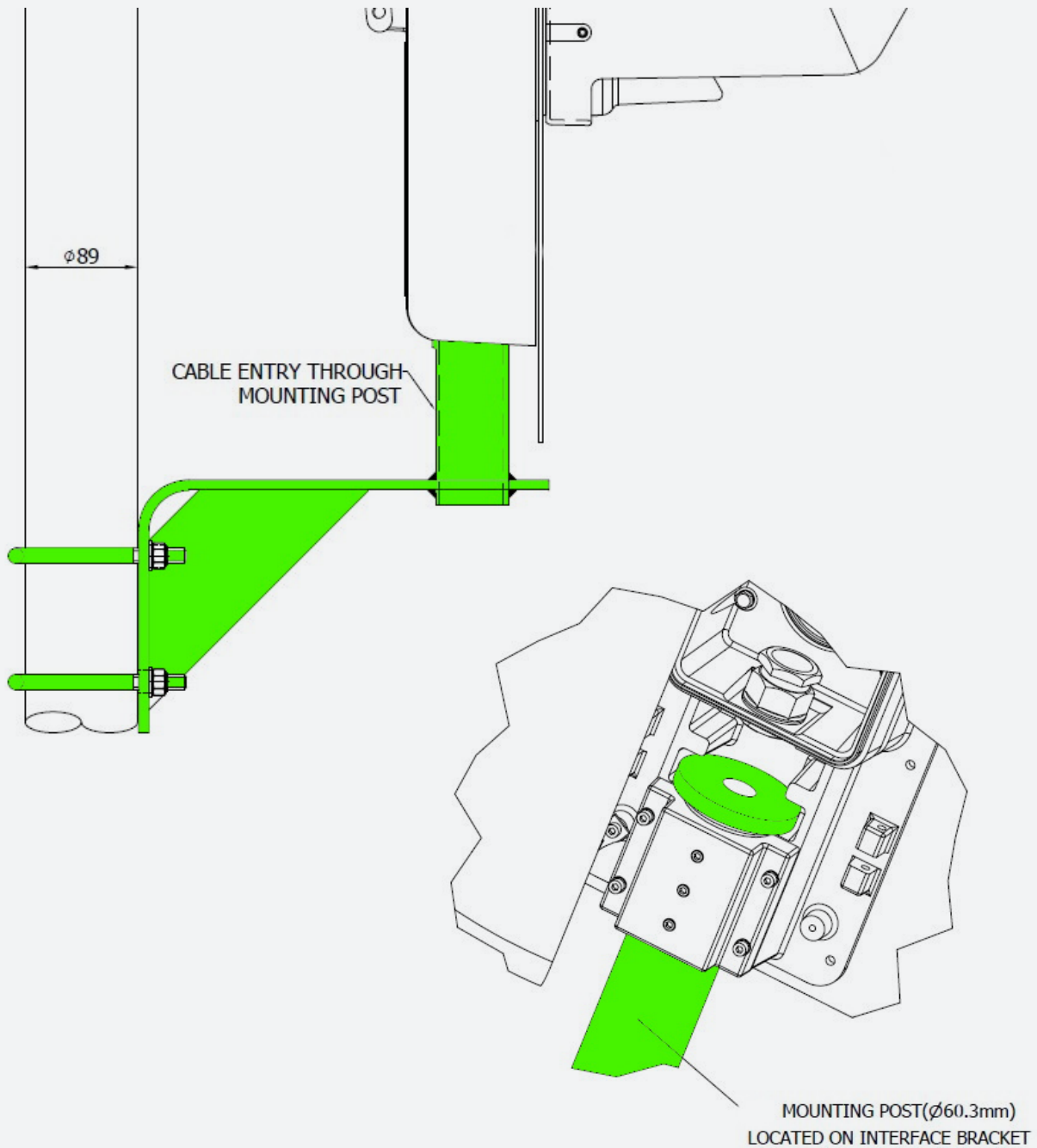


Product Configuration



Product Configuration

Alternative post mounting arrangement

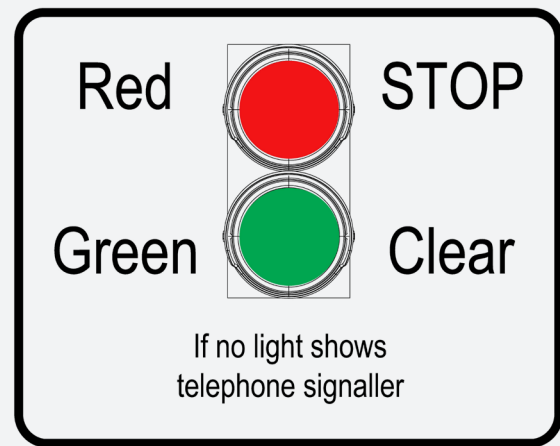
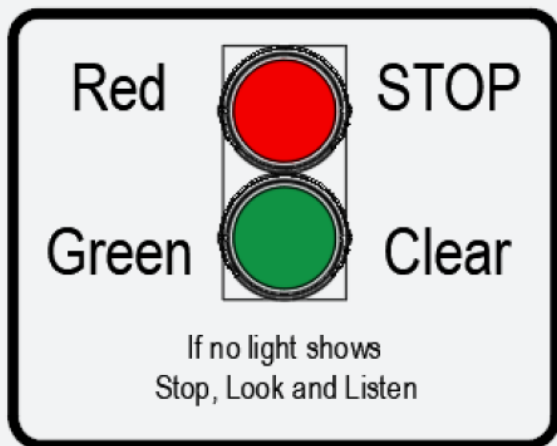


DETAIL OF POST MOUNT & CLAMPING ARRANGEMENT.
NOTE: THIS SECTION IS COVERED BY CLOSURE OF THE HINGED DOOR FOR ANTI-VANDAL PURPOSES.

Catalogue Numbers

Signals

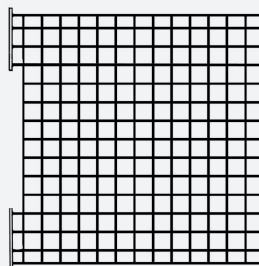
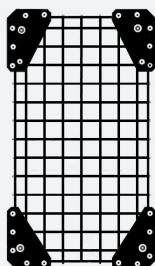
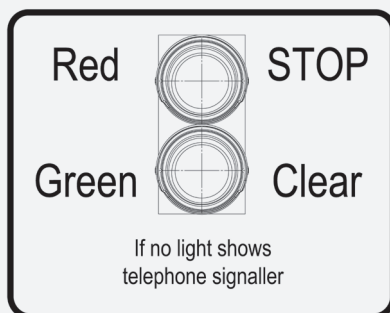
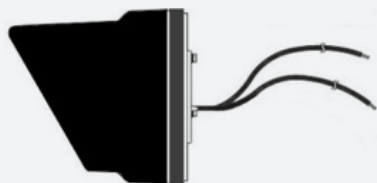
Catalogue Number	Unipart Dorman Part Number	Description
0086/009261	MSLC2/RG/1/P/G	Miniature Stop Light -stop, look and listen
0086/009260	MSLH2/RG/1/P/G	Miniature Stop Light -telephone signaler
0086/009264	MSCMW2/RG/1/P/G	Miniature Stop Light -Proceed with Caution (Welsh/English Version)
0086/009263	MSHMW2/RG/1/P/G	Miniature Stop Light -Phone Crossing Operator (Welsh/English Version)



Catalogue Numbers

Spares

Catalogue Number	Unipart Dorman Part Number	Description
0086/001294	SLM2/R-/1/P/G	MSL Red Module C/W Visor
0086/001296	SLM2/G-/1/P/G	MSL Green Module C/W Visor
086/009026	B81.80024	Spare Hood Kit
086/009022	D81.80126	Spare "If no light shows telephone signaller" Backboard Kit
086/009023	D81.80128	Spare "If no light shows stop, look and listen" Backboard Kit
086/009024	D81.80127	Spare ""If no light-phone crossing operator". Bi-lingual English / Welsh Backboard Kit
086/009025	D81.80129	Spare "If no light-proceed with caution" Bi-lingual English / Welsh version. Backboard Kit
0088/026985	D81.80130	Anti Vandal Guard



Contact us today to learn how we can help your business improve reliability, efficiency and safety in railway operations.



Click or scan
to contact us